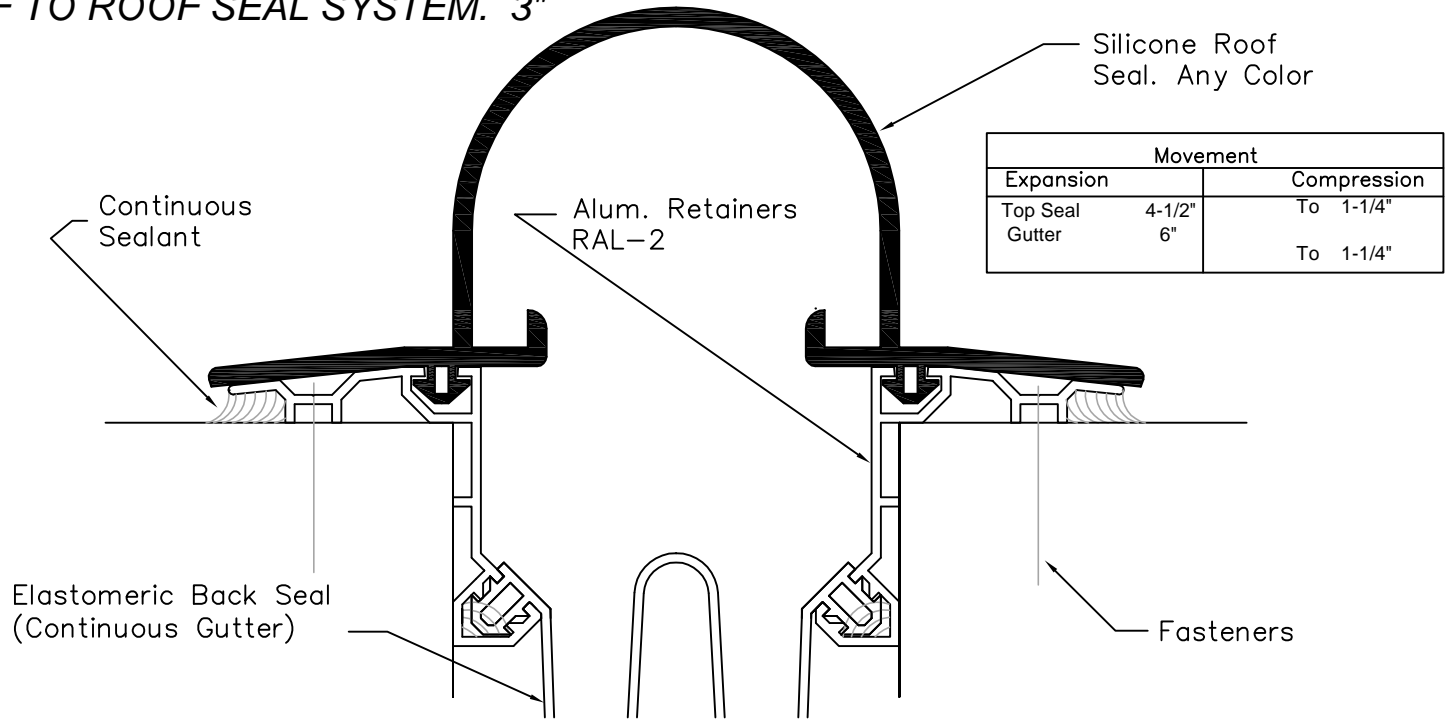


# ROOF TO ROOF SEAL SYSTEM. 3"



Movement		
Expansion	Compression	
Top Seal	4-1/2"	To 1-1/4"
Gutter	6"	To 1-1/4"

**GENERAL SPECIFICATIONS**

RR-SYSTEMS ARE SEISMIC EXPANSION JOINT SEALS FOR ROOF APPLICATIONS. THEY ARE EXTRUDED FROM SILICONE AND PRODUCED BY THE MICHAEL RIZZA CO. THE FACE AND ELASTOMERIC BACK SEAL ARE SECURED IN ALUMINUM RETAINERS USING A HIGH QUALITY SILICONE COMPATIBLE SEALANT.

ALUMINUM EXTRUSIONS ARE 6063-T5 ALLOY AND TEMPER.

SILICONE EXTRUSIONS MEET ASTM D2000, 4GE, 709.M, ARE UV STABILIZED AND DO NOT PROPAGATE FLAME. COLOR, AS SELECTED BY THE ARCHITECT.

**FASTENERS**

ALUMINUM RETAINERS SHOULD BE MECHANICALLY FASTENED AT 18" O.C. INSTALLER SHALL DETERMINE APPROPRIATE FASTENERS (BY OTHERS) DEPENDENT ON STRUCTURAL MATERIAL. STRUCTURAL ADHESIVES (BY OTHERS) MAY BE USED IN CONJUNCTION WITH, OR IN PLACE OF, FASTENERS IF APPROVED BY ARCHITECT AND BE IN ACCORDANCE WITH SEALANT MANUFACTURER'S RECOMMENDATIONS.

NO PART OF THIS DESIGN MAY BE REPRODUCED OR COPIED IN ANY FORM OR BY ANY MEANS; GRAPHIC ELECTRONIC OR MECHANICAL, INCLUDING PHOTOCOPYING, WITHOUT WRITTEN PERMISSION OF THE DESIGNER.

**W30-71-81**  
REV. 04/08



**Architectural Art**

**MANUFACTURING**

283 SWANSON DRIVE, STE 103  
LAWRENCEVILLE, GA 30043  
PH: (678) 680-7373 FAX: (678) 735-0085

TOLL FREE 800-335-0722 web: www.archart.com  
Division of Pittcon Architectural Metals, LLC

*Roof to Roof Silicone*

MODEL: W30-71-81

DRAWN BY:

JW

SCALE:

NTS

DRAWING NO.:

**DTL-01**

SHT. 1 OF 1

ISSUE DATE:

04/02/08

NO.	DESCRIPTION	BY	DATE

**REVISIONS**

The information contained herein is the proprietary property of **ARCHITECTURAL ART MFG.**, Division of Pittcon Architectural Metals, LLC. No portion of it may be reproduced by any means or used in any form except for the purpose for which it was furnished. All rights of design and invention are hereby reserved. We reserve the right to make changes in the design at our discretion.