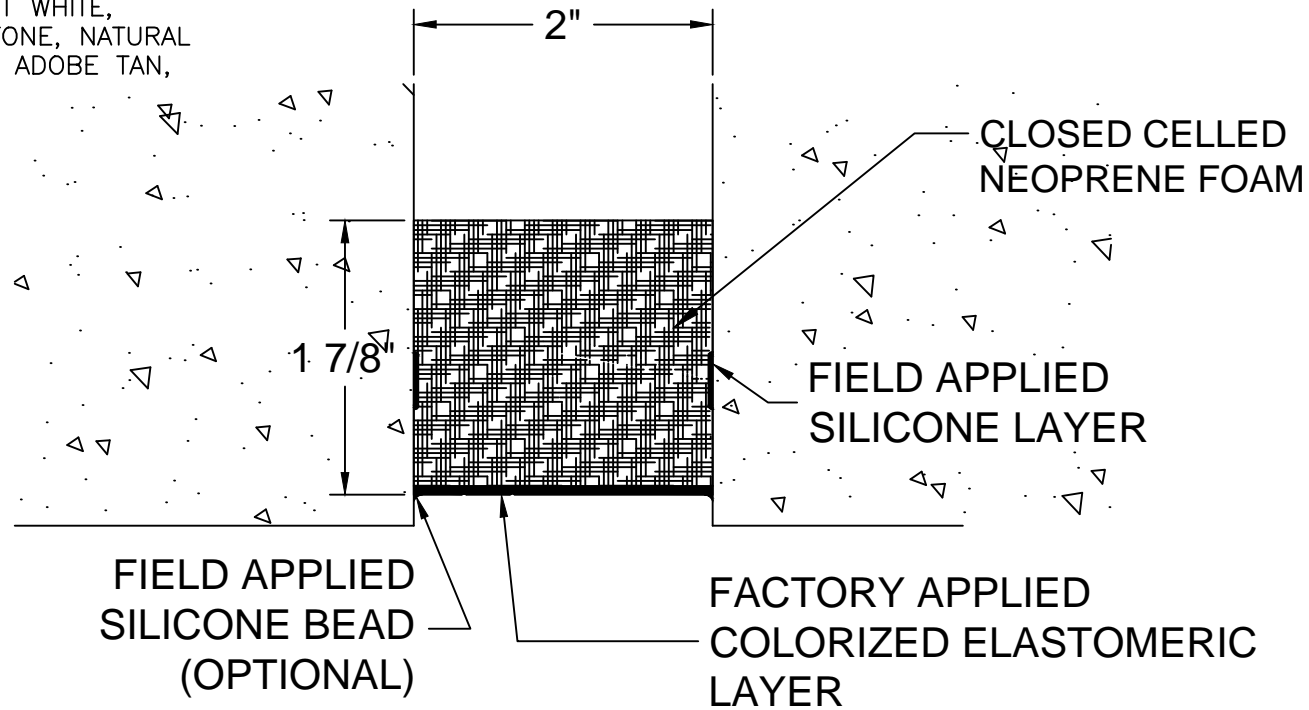


COLOR SELECTION:

BLACK, LIMESTONE, DUSTY
 ROSE, BRONZE, PRECAST WHITE,
 RUSTIC BRICK, SANDSTONE, NATURAL
 STONE, BLUE SPRUCE, ADOBE TAN,
 GRAY, CHARCOAL



DESCRIPTION: WALL TO WALL (EXTERIOR)
 EXPOSED FINISH: SILICONE
 MOVEMENT: PLUS OR MINUS 25% JOINT WIDTH
 STOCK LENGTHS: 5'-0"

W20-SF-SI

Formerly W20-56-81



**Architectural Art
 MANUFACTURING**

Division of Pittcon Architectural Metals, LLC
 283 SWANSON DRIVE, STE 103
 LAWRENCEVILLE, GA 30043
 PH: (678) 680-7373 FAX: (678) 735-0085
 TOLL FREE: (800) 835-0028 web: www.archart.com

EXTERIOR VERTICAL WALL SYSTEM

MODEL: W20-SF-SI

DRAWN BY:
 NDC

SCALE:
 NTS

DRAWING NO.:

SHT. 1 OF 1

ISSUE DATE:
 06/03/09

DTL-01

NO.	DESCRIPTION	BY	DATE

REVISIONS

The information contained herein is the proprietary property of **ARCHITECTURAL ART MFG.**, Division of Pittcon Architectural Metals, LLC. No portion of it may be reproduced by any means or used in any form except for the purpose for which it was furnished. All rights of design and invention are hereby reserved. We reserve the right to make changes in the design at our discretion.