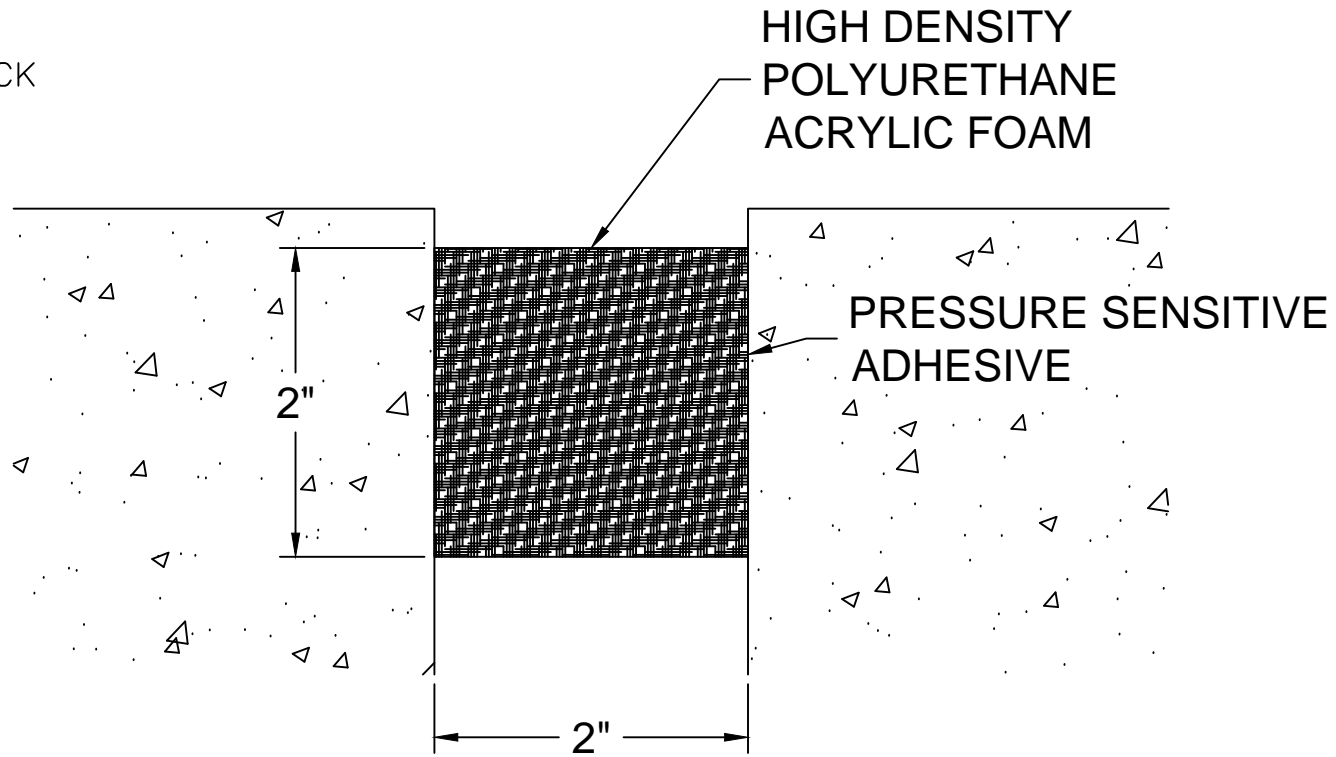


COLOR: BLACK



DESCRIPTION: WALL TO WALL (EXTERIOR)  
EXPOSED FINISH: NONE  
MOVEMENT: PLUS OR MINUS 25% JOINT WIDTH  
STOCK LENGTHS: 5'-0"

**W20-AF-NA**  
Formerly W20-54-00



**Architectural Art  
MANUFACTURING**

Division of Pittcon Architectural Metals, LLC  
283 SWANSON DRIVE, STE 103  
LAWRENCEVILLE, GA 30043  
PH: (678) 680-7373 FAX: (678) 735-0085  
TOLL FREE: (800) 835-0028 web: [www.archart.com](http://www.archart.com)

**RIGHTS OF DESIGN**

All rights of design, detail, engineering and/or invention contained herein are the property of Architectural Art Mfg. and hereby are the property and are not to be reproduced or provided to any other party. Architectural Art Mfg. reserves the right to amend or withdraw any information contained herein without notice and will not be liable for any inaccuracy or ambiguity of said information.

**SECONDARY SEAL SYSTEM**

MODEL: W20-AF-NA

DRAWN BY:  
NDC

SCALE:  
NTS

DRAWING NO.:

SHT. 1 OF 1

ISSUE DATE:  
06/01/09

**DTL-01**