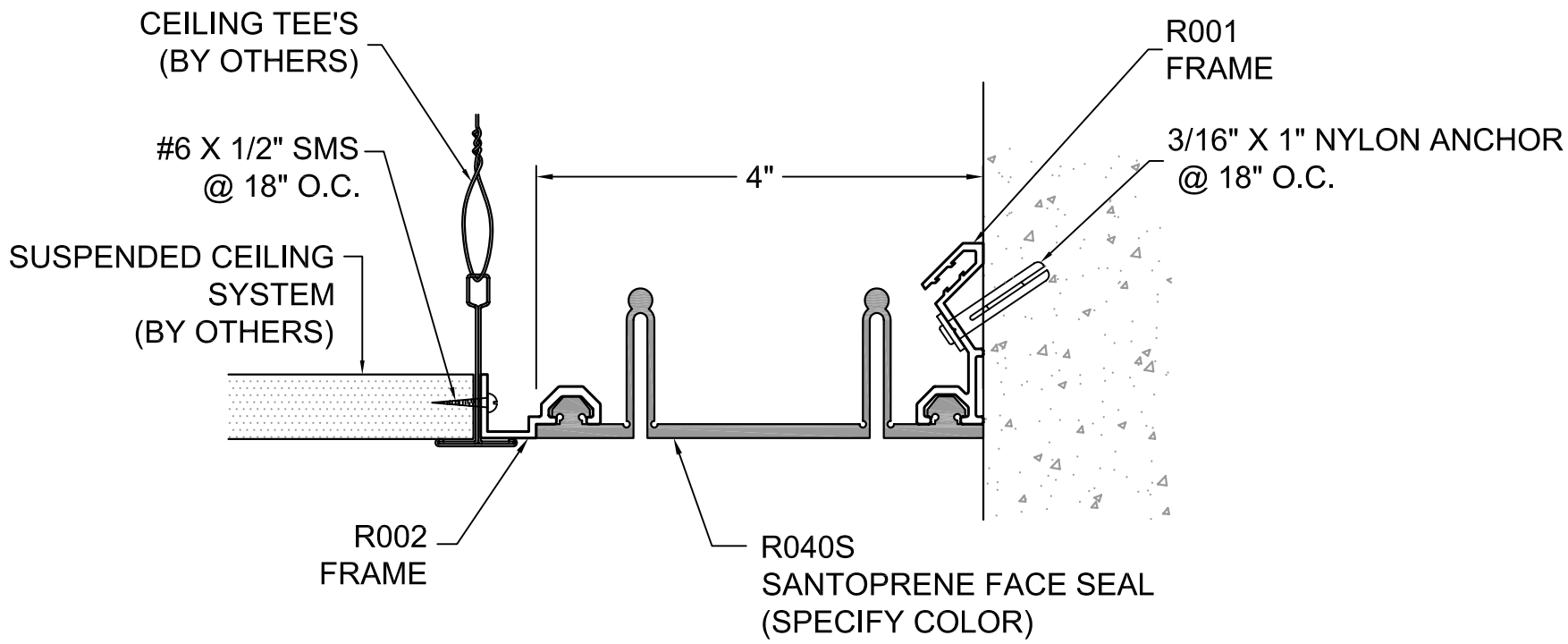


| COLOR SELECTOR |             |
|----------------|-------------|
| BLACK _____    | BROWN _____ |
| BEIGE _____    | GRAY _____  |
| WHITE _____    |             |



**DESCRIPTION: INTERIOR CORNER WALL/CEILING SYSTEM**

- ALUMINUM: 6063-T5 EXTRUSION
- FACE SEAL: SANTOPRENE
- MOVEMENT: +100% TENSION/COMPRESSION TO 1 1/4"
- STOCK LENGTHS: 10'-0" OR 20'-0" ALUMINUM; SEAL: CONTINUOUS

**R40-72-94**



**Architectural Art  
MANUFACTURING**  
Division of Pittcon Architectural Metals, LLC  
283 SWANSON DRIVE, STE 103  
LAWRENCEVILLE, GA 30043  
PH: (678) 680-7373 FAX: (678) 735-0085  
TOLL FREE: (800) 835-0028 web: www.archart.com

|                                     |                         |               |
|-------------------------------------|-------------------------|---------------|
| <i>CL/WL CORNER INTERIOR SYSTEM</i> |                         |               |
| MODEL: R40-72-94                    |                         |               |
| DRAWN BY:<br>DOC                    | SCALE:<br>NTS           | DRAWING NO.:  |
| SHT. 1 OF 1                         | ISSUE DATE:<br>01/07/11 | <b>DTL-01</b> |

| NO.   | DESCRIPTION | BY | DATE |
|---|-------------|----|------|
|   |             |    |      |
| REVISIONS   |             |    |      |
| <small>The information contained herein is the proprietary property of <b>ARCHITECTURAL ART MFG.</b>, Division of Pittcon Architectural Metals, LLC. No portion of it may be reproduced by any means or used in any form except for the purpose for which it was furnished. All rights of design and invention are hereby reserved. We reserve the right to make changes in the design at our discretion.</small> |             |    |      |