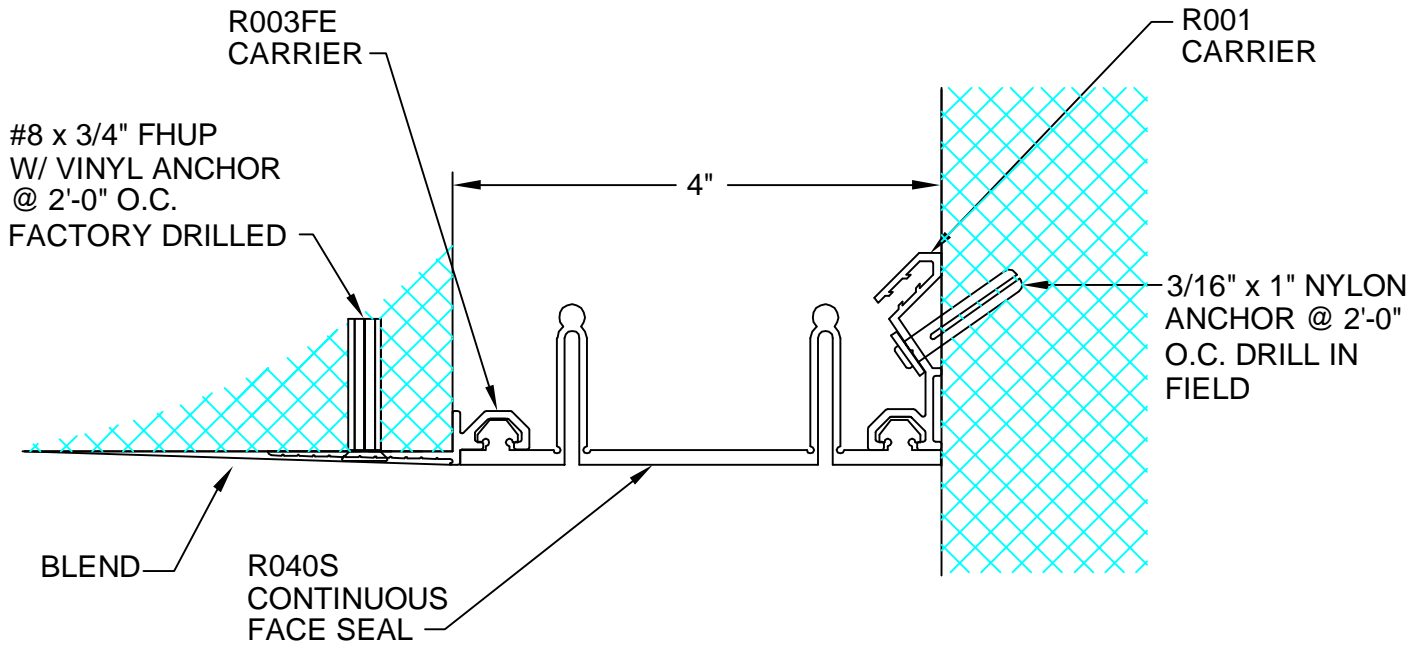


R40-63-91

REV. 7/06



DESCRIPTION: INTERIOR CORNER CEILING
 ALUMINUM: 6063-T5 EXTRUSION
 FACE SEAL: SANTOPRENE
 ALLOWABLE LOAD: -NOT DESIGNED FOR STRUCTURAL LOADS-
 MOVEMENT: + 100% TENSION/COMPRESSION TO 1 1/4"
 STOCK LENGTHS: 20'-0" (ALUMINUM)

CUSTOMER:		
PROJECT:		
LOCATION:		
ARCHITECT:		
CONTRACTOR:		
NOTE:		
JOB NO.:	DATE:	SCALE: (NTS)

LENGTH:	QTY:	COLOR/FINISH:



ARCHITECTURAL ART MFG., INC.

6409 RHODE ISLAND AVE. RIVERDALE, MD 20737

