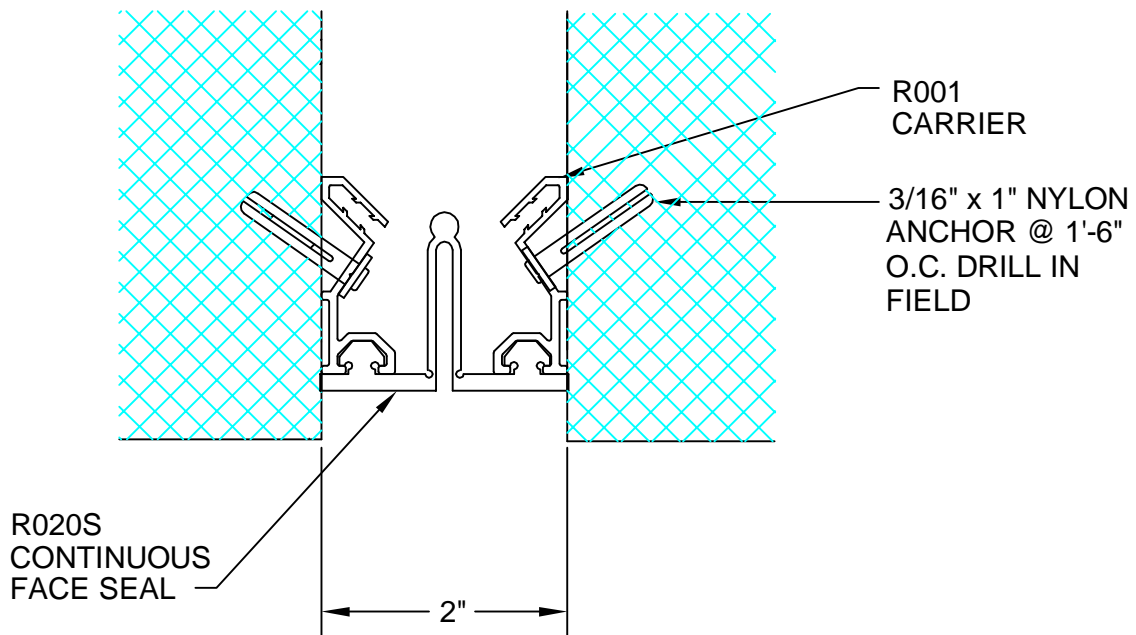


R20-52-91

REV. 7/06



DESCRIPTION: INTERIOR FLAT WALL

ALUMINUM: 6063-T5 EXTRUSION

FACE SEAL: SANTOPRENE

ALLOWABLE LOAD: -NOT DESIGNED FOR STRUCTURAL LOADS-

MOVEMENT: + 100% TENSION/COMPRESSION TO 1 1/4"

STOCK LENGTHS: 20'-0" (ALUMINUM)

CUSTOMER:		
PROJECT:		
LOCATION:		
ARCHITECT:		
CONTRACTOR:		
NOTE:		
JOB NO.:	DATE:	SCALE: (NTS)

LENGTH:	QTY:	COLOR/FINISH:



ARCHITECTURAL ART MFG., INC.

6409 RHODE ISLAND AVE. RIVERDALE, MD 20737

