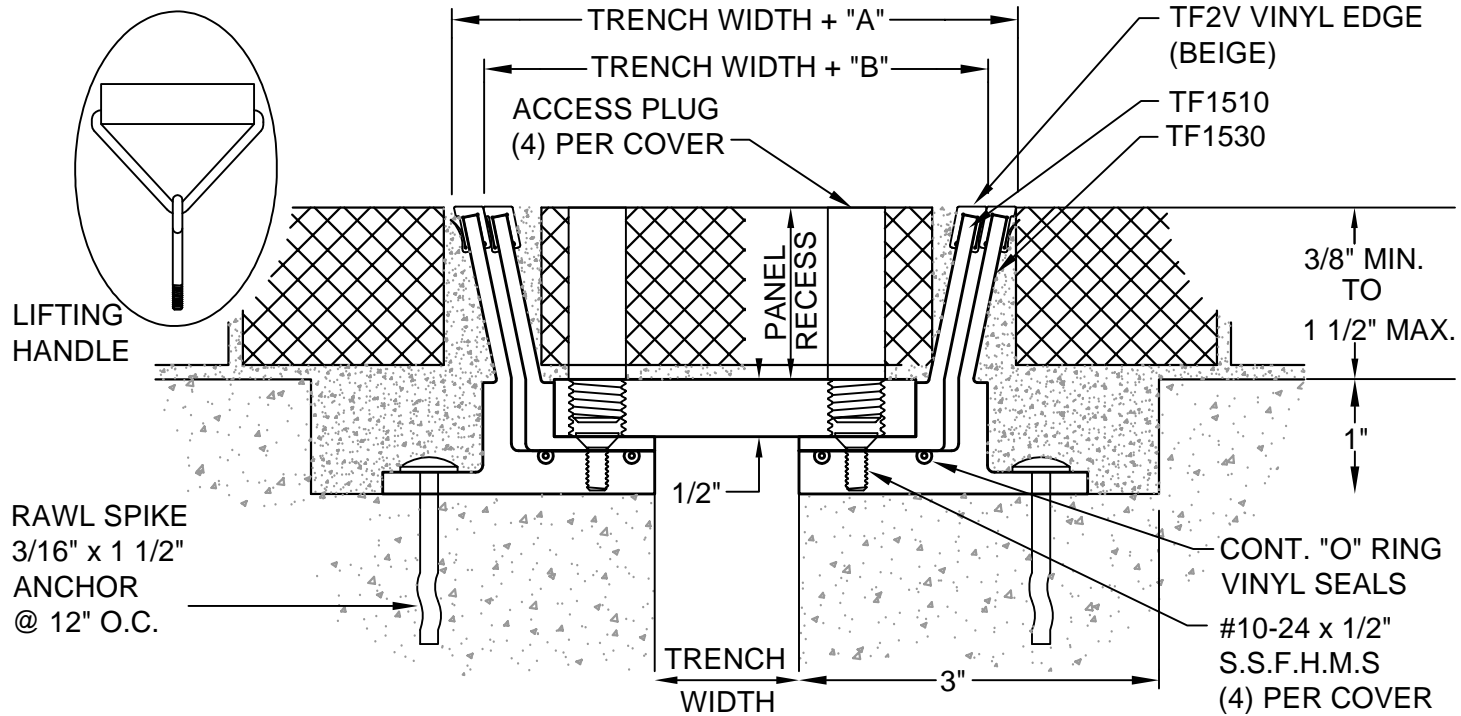


| MODEL NO. (Insert Trench Width) | PANEL RECESS | FRAME DIM. | COVER DIM. | MODEL NO. (Insert Trench Width) | PANEL RECESS | FRAME DIM. | COVER DIM. |
|---------------------------------------|-----------------|---------------|---------------|---------------------------------------|-----------------|---------------|---------------|
| M()-30-16 | 3/8" | 3" | 2 1/2" | M()-35-16 | 1" | 3 9/32" | 2 25/32" |
| M()-31-16 | 1/2" | 3 1/16" | 2 9/16" | M()-36-16 | 1 1/8" | 3 11/32" | 2 27/32" |
| M()-32-16 | 5/8" | 3 1/8" | 2 5/8" | M()-37-16 | 1 1/4" | 3 3/8" | 2 7/8" |
| M()-33-16 | 3/4" | 3 5/32" | 2 21/32" | M()-38-16 | 1 3/8" | 3 7/16" | 2 15/16" |
| M()-34-16 | 7/8" | 3 7/32" | 2 23/32" | M()-39-16 | 1 1/2" | 3 1/2" | 3" |

EXAMPLE: M12-30-16 indicates a 3/8" recessed cover panel for a 12" wide trench.



ALUMINUM: 6063-T5 EXTRUSION 1/2" 6061-T6 PLATE
 EXPOSED FINISH: MILL
 ZINC CHROMATE AREAS IN CONTACT W/CONCRETE
 ALLOWABLE LOAD: CALL FACTORY: 800-835-0025
 SEALS: 701 DURO VINYL
 EDGE EXTRUSION: RIDGED BLACK VINYL (STD.)
 CAP PLUG: SLOTTED 1/2" ALL-THREAD
 LIFTING HANDLES: (4) PER ORDER, FACTORY FURNISHED

M00-3X-16
REV. 06/09



**Architectural Art
MANUFACTURING**

Division of Pittcon Architectural Metals, LLC

283 SWANSON DRIVE, STE 103
 LAWRENCEVILLE, GA 30043
 PH: (678) 680-7373 FAX: (678) 735-0085
 TOLL FREE: (800) 835-0028 web: www.archart.com

TRENCH PANEL DEEP RECESS

MODEL: M00-3X-16

DRAWN BY:
JMT

SCALE:
NTS

DRAWING NO.:

SHT. 1 OF 1

ISSUE DATE:
11/24/08

DTL-01

| NO. | DESCRIPTION | BY | DATE |
|-----|-------------|----|------|
| | | | |

REVISIONS

The information contained herein is the proprietary property of **ARCHITECTURAL ART MFG.**, Division of Pittcon Architectural Metals, LLC. No portion of it may be reproduced by any means or used in any form except for the purpose for which it was furnished. All rights of design and invention are hereby reserved. We reserve the right to make changes in the design at our discretion.