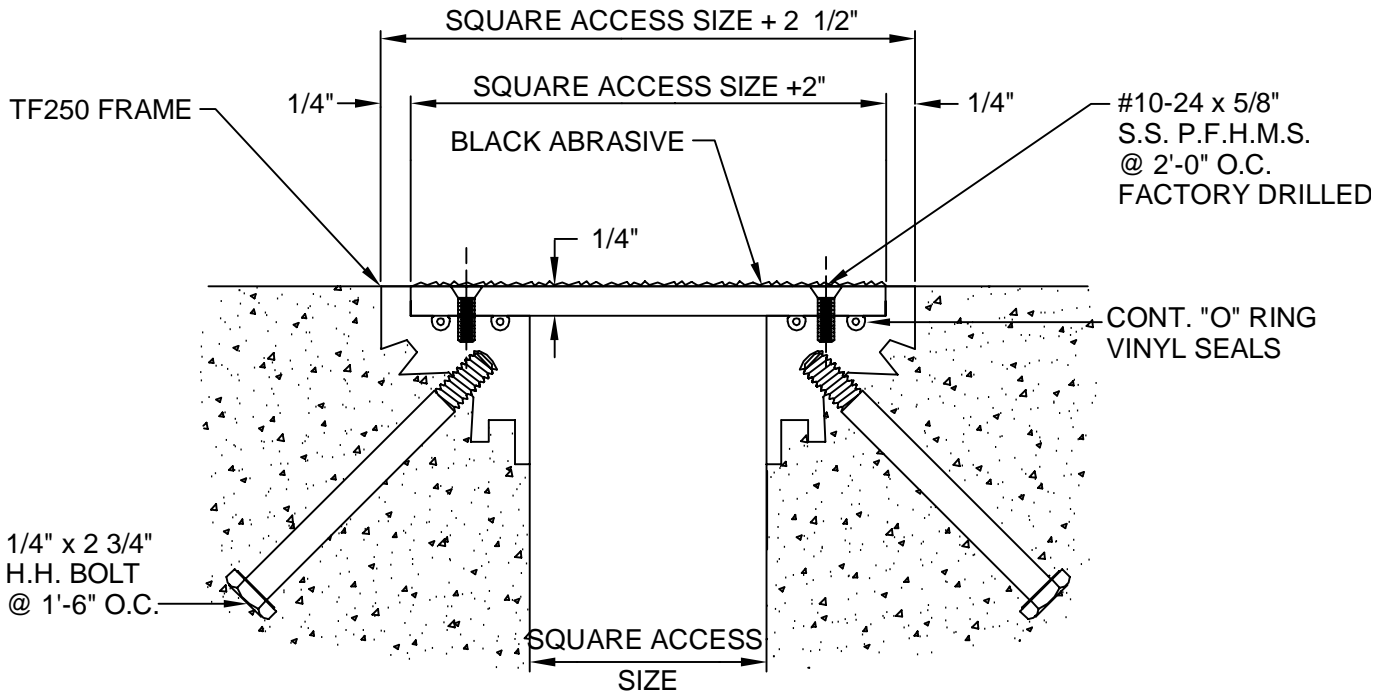


# M00-21-14

REV. 7/06



ALUMINUM: 6063-T5 EXTRUSION, 6061-T6 PLATE  
 EXPOSED FINISH: MILL  
 ZINC CHROMATE AREAS IN CONTACT W/ WET CEMENT  
 ALLOWABLE LOAD: CALL FACTORY: 800-835-0028  
 SEALS: 70 DURO. VINYL  
 ABRASIVE: BLACK ABRASIVE GRIT ON HIGH-BONDING,  
 PRESSURE- SENSITIVE ADHESIVE

CUSTOMER:		
PROJECT:		
LOCATION:		
ARCHITECT:		
CONTRACTOR:		
NOTE:		
JOB NO.:	DATE:	SCALE: (NTS)

LENGTH:	QTY:	COLOR/FINISH:



**ARCHITECTURAL ART MFG., INC.**

6409 RHODE ISLAND AVE. RIVERDALE, MD 20737

