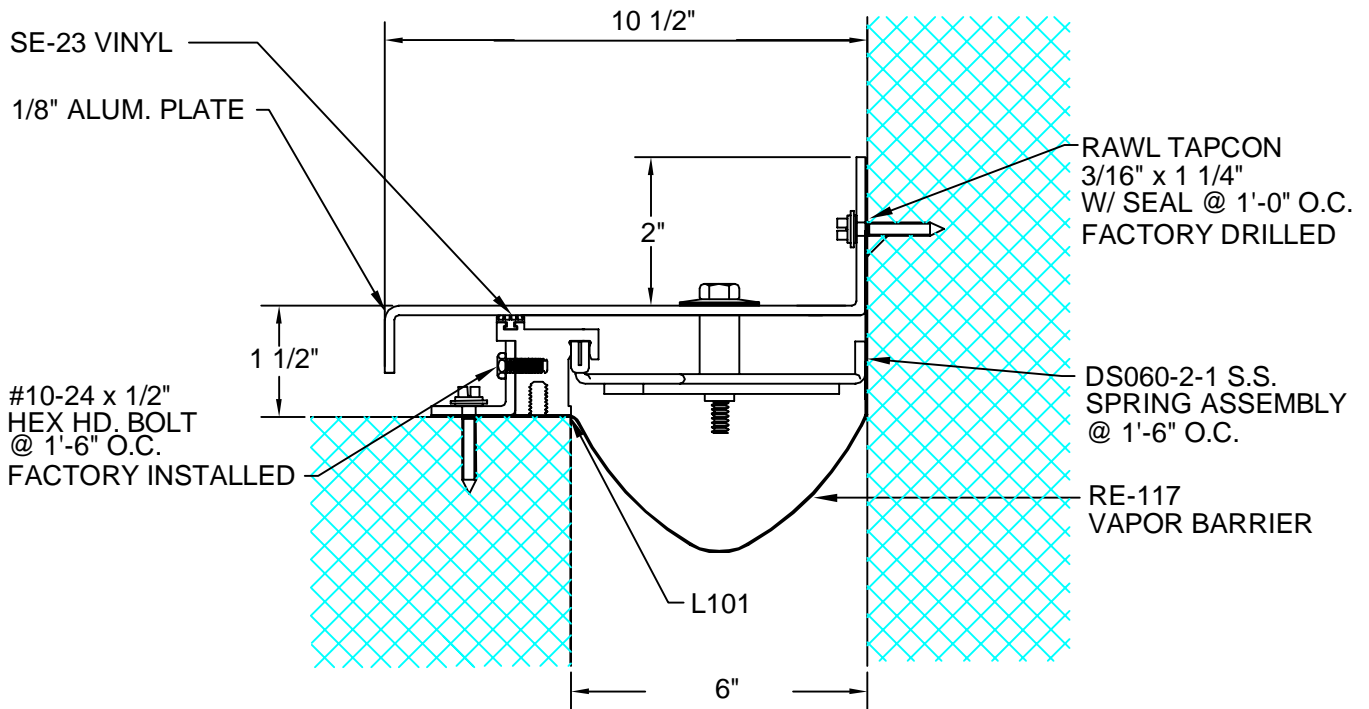


# L60-92-11

REV. 7/06



DESCRIPTION: EXTERIOR CORNER WALL/WALL  
 ALUMINUM: 6063-T5 EXTRUSION, 6061-T6 PLATE  
 STAINLESS STEEL: 304 ALLOY  
 EXPOSED FINISH: MILL  
 ALLOWABLE LOAD: NOT DESIGNED FOR STRUCTURAL LOADS  
 MOVEMENT: +/- 50% JOINT WIDTH  
 STOCK LENGTHS: 10'-0"

CUSTOMER:			LENGTH:	QTY:	COLOR/FINISH:
PROJECT:					
LOCATION:					
ARCHITECT:					
CONTRACTOR:					
NOTE:					
JOB NO.:	DATE:	SCALE: (NTS)			



**ARCHITECTURAL ART MFG., INC.**  
 6409 RHODE ISLAND AVE. RIVERDALE, MD 20737

