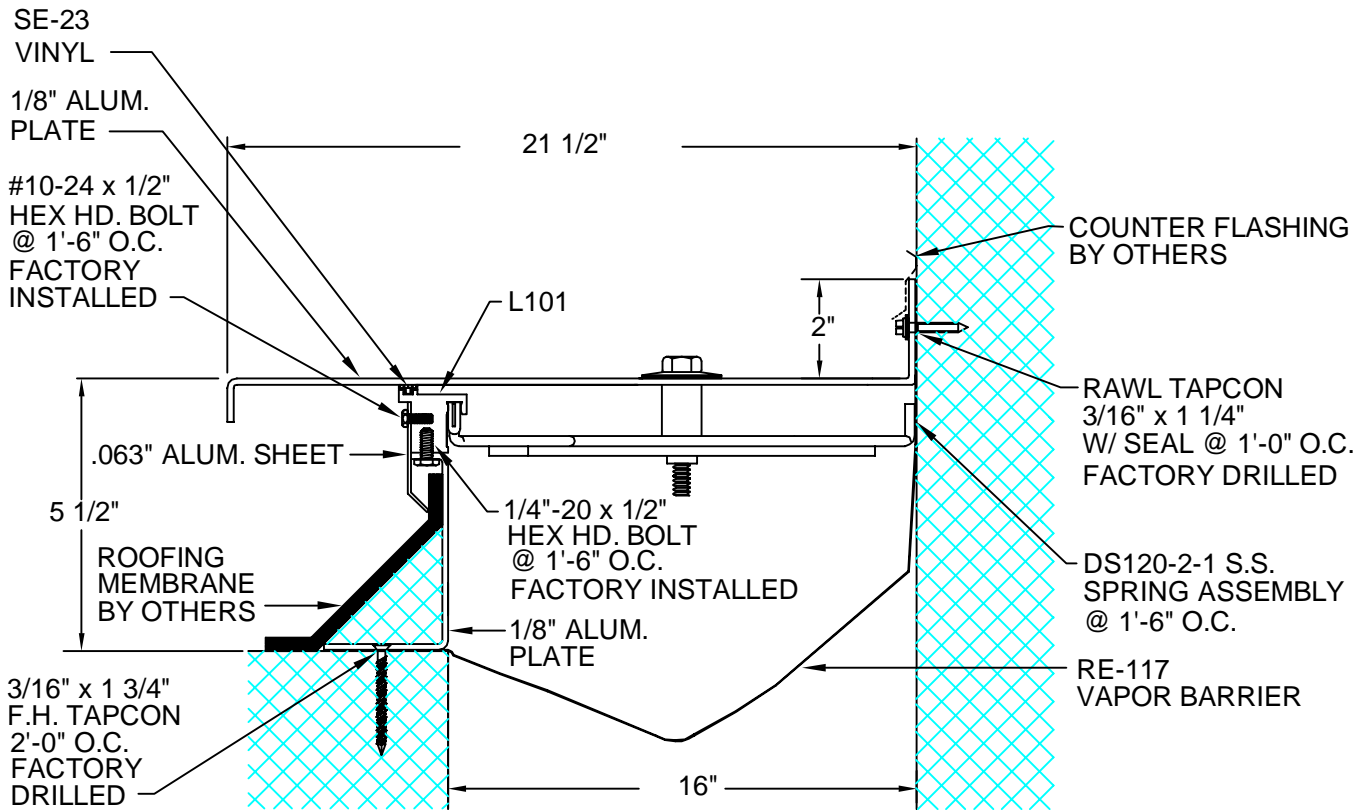


L160-93-11

REV. 7/06



DESCRIPTION: EXTERIOR CORNER ROOF/WALL
ALUMINUM: 6063-T5 EXTRUSION, 6061-T6 PLATE
STAINLESS STEEL: 304 ALLOY
EXPOSED FINISH: MILL
ALLOWABLE LOAD: NOT DESIGNED FOR STRUCTURAL LOADS
MOVEMENT: +/- 25 % JOINT WIDTH
STOCK LENGTHS: 10'-0"

CUSTOMER:		
PROJECT:		
LOCATION:		
ARCHITECT:		
CONTRACTOR:		
NOTE:		
JOB NO.:	DATE:	SCALE: (NTS)

LENGTH:	QTY:	COLOR/FINISH: