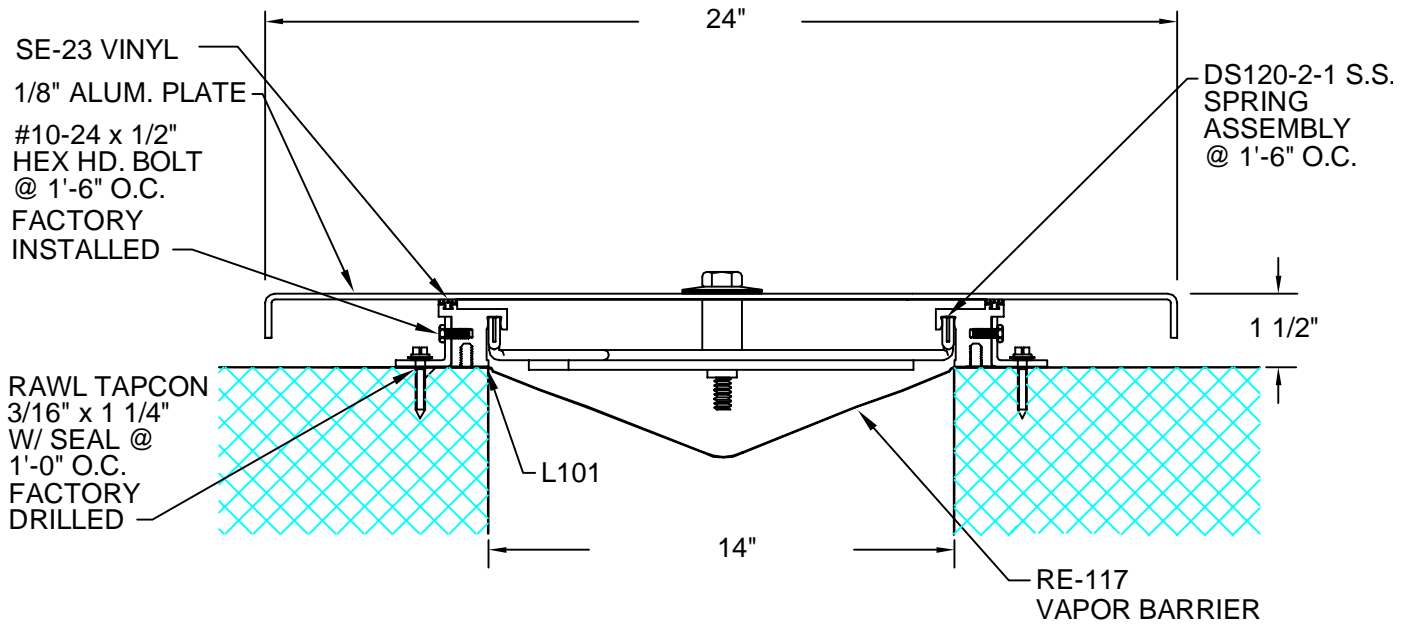


L140-82-11

REV. 7/06



DESCRIPTION: EXTERIOR FLAT WALL/WALL
 ALUMINUM: 6063-T5 EXTRUSION, 6061-T6 PLATE
 STAINLESS STEEL: 304 ALLOY
 EXPOSED FINISH: MILL
 ALLOWABLE LOAD: NOT DESIGNED FOR STRUCTURAL LOADS
 MOVEMENT: +/- 50 % JOINT WIDTH
 STOCK LENGTHS: 10'-0"

| | | |
|-------------|-------|--------------|
| CUSTOMER: | | |
| PROJECT: | | |
| LOCATION: | | |
| ARCHITECT: | | |
| CONTRACTOR: | | |
| NOTE: | | |
| JOB NO.: | DATE: | SCALE: (NTS) |

| LENGTH: | QTY: | COLOR/FINISH: |
|---------|------|---------------|
| | | |
| | | |
| | | |
| | | |
| | | |



ARCHITECTURAL ART MFG., INC.
 6409 RHODE ISLAND AVE. RIVERDALE, MD 20737

