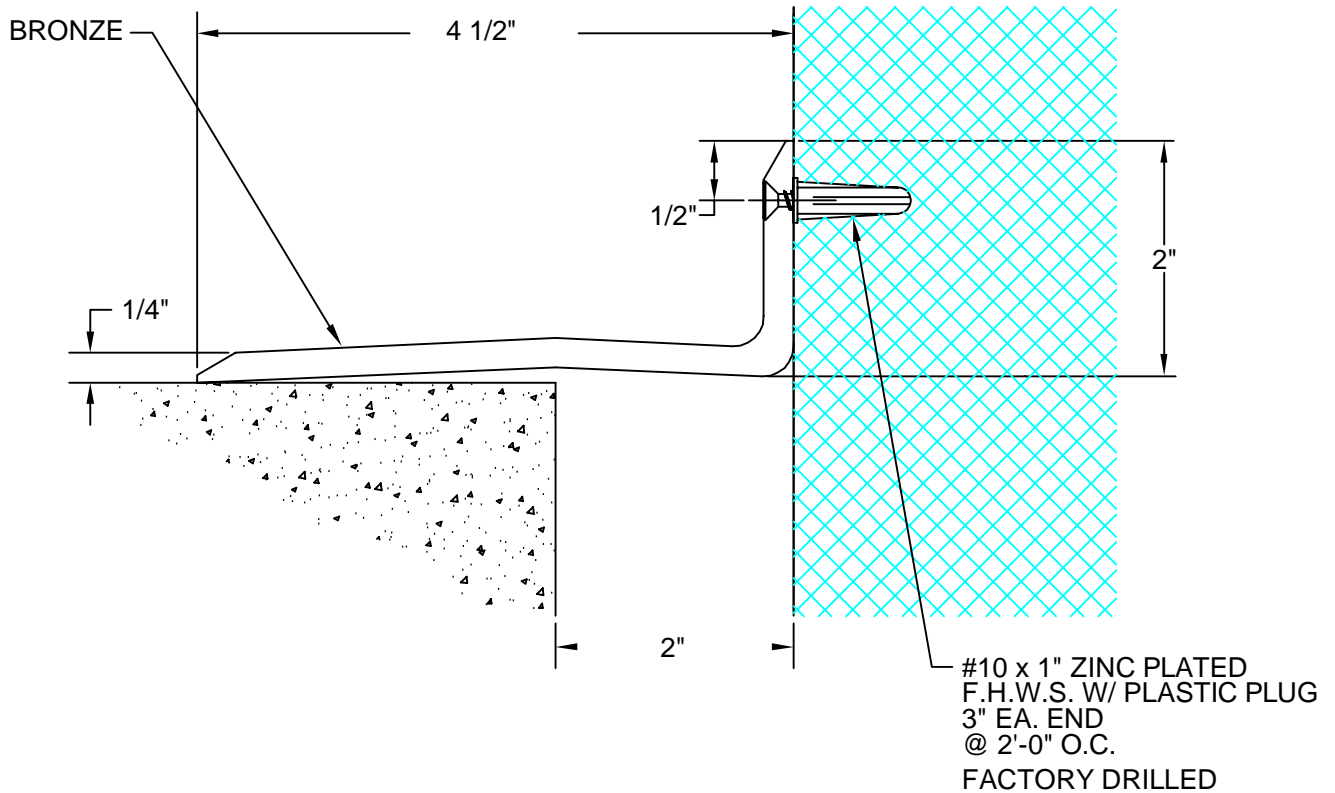


K20-31-31

REV. 7/06



DESCRIPTION: FLOOR-TO-WALL
 BRONZE: 280 ALLOY MUNTZ METAL
 EXPOSED FINISH: MILL
 ALLOWABLE LOAD: CALL FACTORY: 800-835-0028
 MOVEMENT: +/- 100% JOINT WIDTH
 STOCK LENGTHS: 10'-0"

CUSTOMER:		
PROJECT:		
LOCATION:		
ARCHITECT:		
CONTRACTOR:		
NOTE:		
JOB NO.:	DATE:	SCALE: (NTS)

LENGTH:	QTY:	COLOR/FINISH:


ARCHITECTURAL ART MFG., INC.


6409 RHODE ISLAND AVE. RIVERDALE, MD 20737