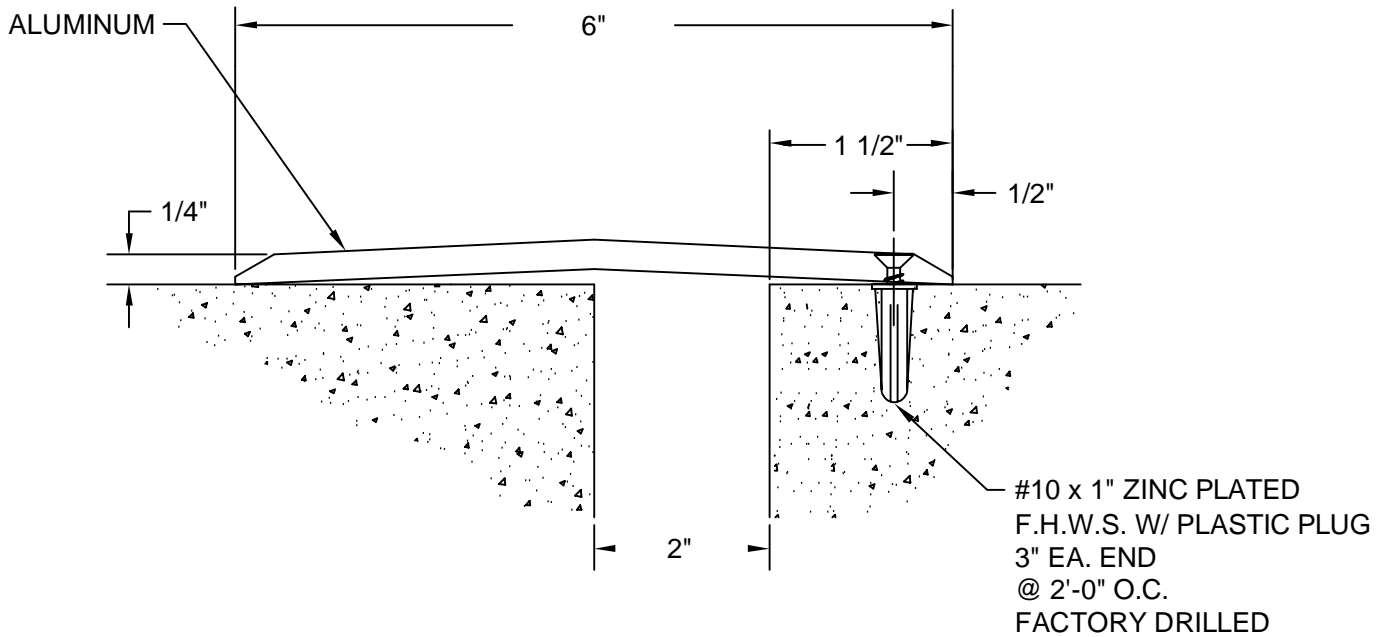


K20-11-11

REV. 7/06



DESCRIPTION: FLOOR-TO-FLOOR
 ALUMINUM: 6061-T6 PLATE
 EXPOSED FINISH: MILL
 ALLOWABLE LOAD: CALL FACTORY: 800-835-0028
 MOVEMENT: +/- 100% JOINT WIDTH
 STOCK LENGTHS: 10'-0"

| | | |
|-------------|-------|--------------|
| CUSTOMER: | | |
| PROJECT: | | |
| LOCATION: | | |
| ARCHITECT: | | |
| CONTRACTOR: | | |
| NOTE: | | |
| JOB NO.: | DATE: | SCALE: (NTS) |

| LENGTH: | QTY: | COLOR/FINISH: |
|---------|------|---------------|
| | | |
| | | |
| | | |
| | | |
| | | |



ARCHITECTURAL ART MFG., INC.

6409 RHODE ISLAND AVE. RIVERDALE, MD 20737

