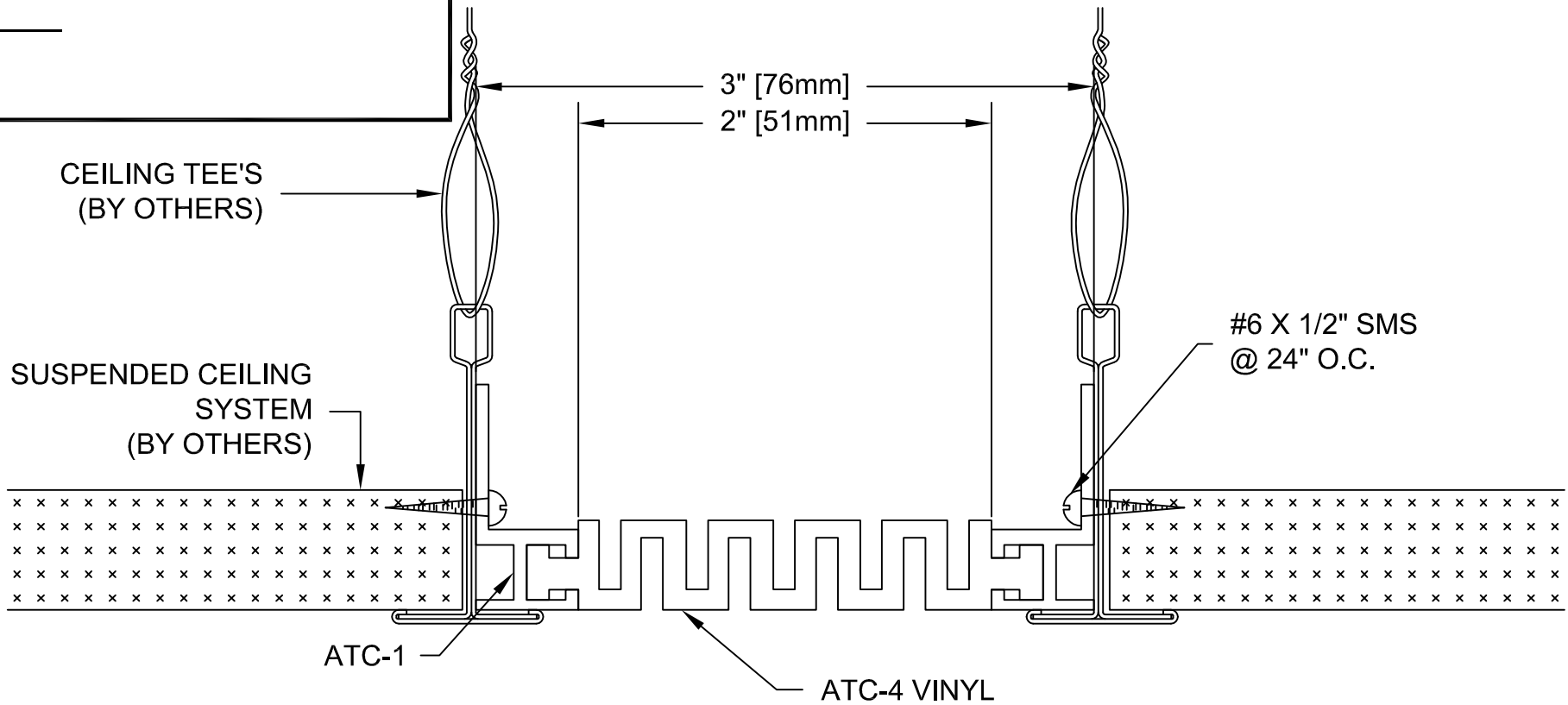


**COLOR SELECTOR**  
 BLACK \_\_\_\_\_ BROWN \_\_\_\_\_  
 BEIGE \_\_\_\_\_ GRAY \_\_\_\_\_  
 WHITE \_\_\_\_\_



**DESCRIPTION: CEILING-TO-CEILING FLAT VINYL SYSTEM**  
 ALUMINUM: 6063-T5 EXTRUSION  
 VINYL: 70 DURO. PVC, WHITE  
 EXPOSED FINISH: R1-204 CLEAR ANODIZED, WITH STRIPPABLE PROTECTIVE TAPE  
 ALLOWABLE LOAD: NOT DESIGNED FOR STRUCTURAL LOADS  
 MOVEMENT: +100 -25% JOINT WIDTH  
 STOCK LENGTHS: 20'0"

**J20-71-44**  
 REV. 06/09



**Architectural Art  
 MANUFACTURING**  
 Division of Pittcon Architectural Metals, LLC  
 283 SWANSON DRIVE, STE 103  
 LAWRENCEVILLE, GA 30043  
 PH: (678) 680-7373 FAX: (678) 735-0085  
 TOLL FREE: (800) 835-0028 web: www.archart.com

<b>CL TO CL FLAT VINYL</b>		
MODEL: J20-71-44		
DRAWN BY: JMT	SCALE: NTS	DRAWING NO.:
SHT. 1 OF 1	ISSUE DATE: 11/24/08	<b>DTL-01</b>

NO.	DESCRIPTION	BY	DATE
REVISIONS			
<small>The information contained herein is the proprietary property of <b>ARCHITECTURAL ART MFG.</b>, Division of Pittcon Architectural Metals, LLC. No portion of it may be reproduced by any means or used in any form except for the purpose for which it was furnished. All rights of design and invention are hereby reserved. We reserve the right to make changes in the design at our discretion.</small>			