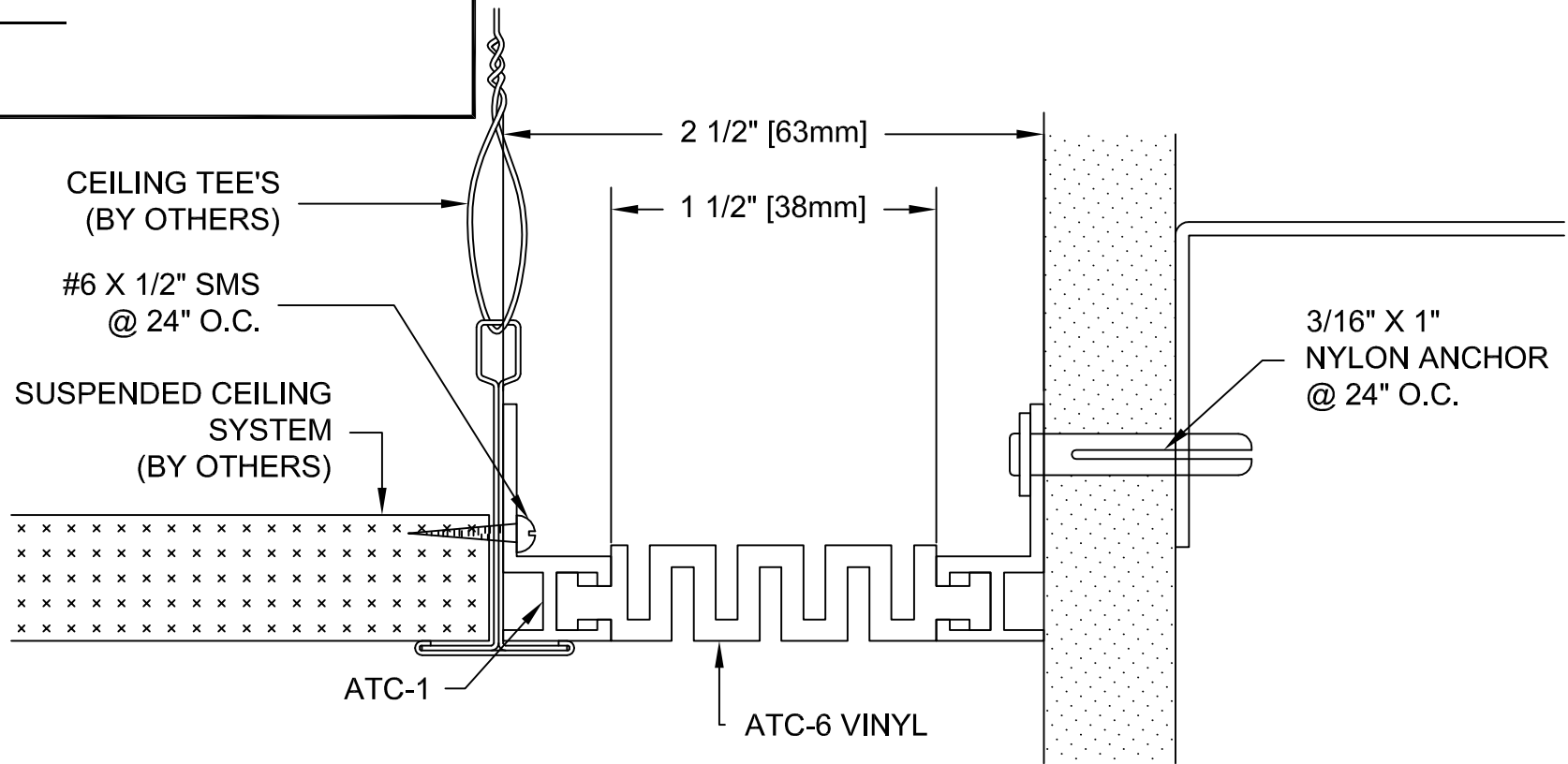


COLOR SELECTOR
 BLACK _____ BROWN _____
 BEIGE _____ GRAY _____
 WHITE _____



DESCRIPTION: CEILING-TO-WALL CORNER VINYL SYSTEM
 ALUMINUM: 6063-T5 EXTRUSION
 VINYL: 70 DURO. PVC, WHITE
 EXPOSED FINISH: R1-204 CLEAR ANODIZED, WITH STRIPPABLE PROTECTIVE TAPE
 ALLOWABLE LOAD: NOT DESIGNED FOR STRUCTURAL LOADS
 MOVEMENT: +100 -25% JOINT WIDTH
 STOCK LENGTHS: 20'0"

J15-72-44
 REV. 06/09



Architectural Art
 MANUFACTURING

Division of Pittcon Architectural Metals, LLC

283 SWANSON DRIVE, STE 103
 LAWRENCEVILLE, GA 30043
 PH: (678) 680-7373 FAX: (678) 735-0085
 TOLL FREE: (800) 835-0028 web: www.archart.com

CL TO WL CORNER SYSTEM

MODEL: J15-72-44

DRAWN BY:
 JMT

SCALE:
 NTS

DRAWING NO.:

SHT. 1 OF 1

ISSUE DATE:
 11/24/08

DTL-01

NO.	DESCRIPTION	BY	DATE

REVISIONS

The information contained herein is the proprietary property of **ARCHITECTURAL ART MFG.**, Division of Pittcon Architectural Metals, LLC. No portion of it may be reproduced by any means or used in any form except for the purpose for which it was furnished. All rights of design and invention are hereby reserved. We reserve the right to make changes in the design at our discretion.