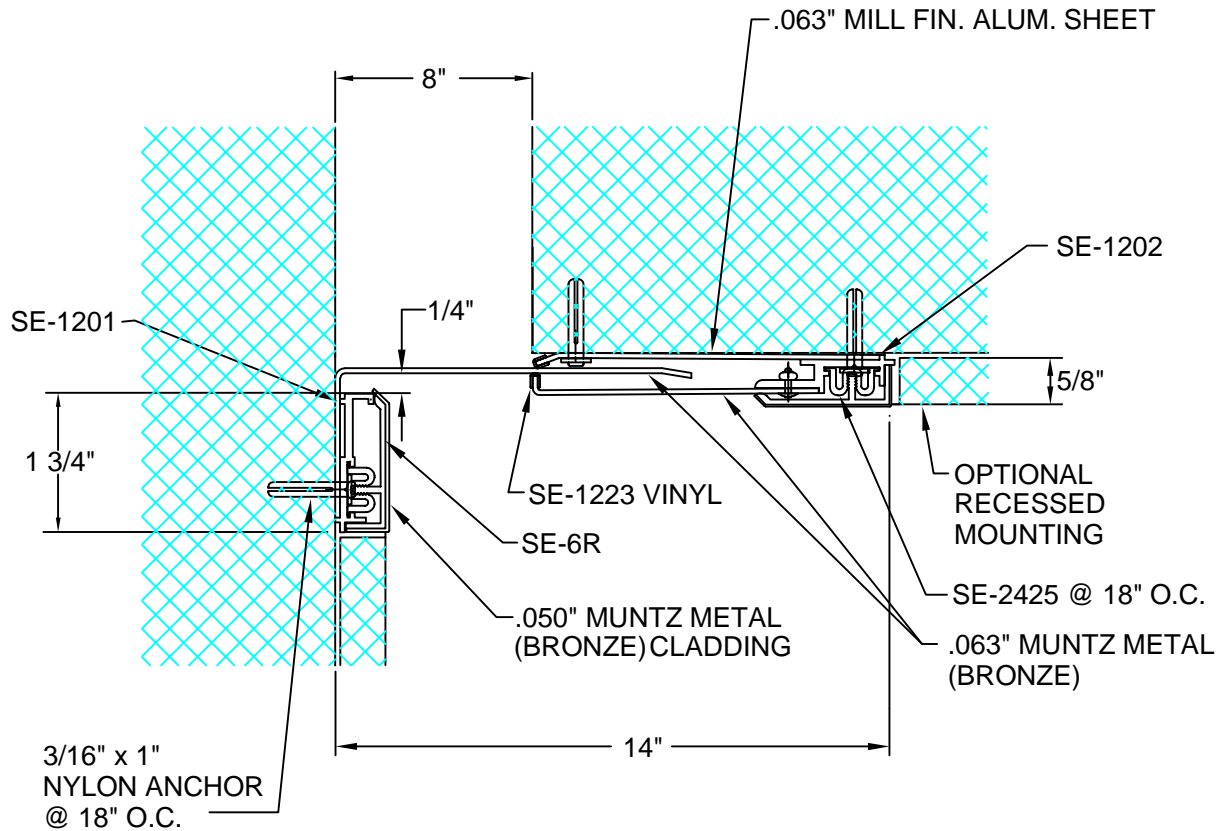


# H80-63-34

REV. 2/08



DESCRIPTION: WALL TO CORNER; CEILING TO WALL  
 ALUMINUM: 6063-T5 EXTRUSION, 3003-H14 SHEET  
 BRONZE: 280 ALLOY MUNTZ METAL  
 VINYL: 90 DURO PVC  
 EXPOSED FINISH: #4 SATIN w/ STRIPPABLE PROTECTIVE TAPE  
 ALLOWABLE LOAD: NOT DESIGNED FOR STRUCTURAL LOADS  
 MOVEMENT: +/- 25% JOINT WIDTH  
 STOCK LENGTHS: 10'-0"

|             |       |              |
|-------------|-------|--------------|
| CUSTOMER:   |       |              |
| PROJECT:    |       |              |
| LOCATION:   |       |              |
| ARCHITECT:  |       |              |
| CONTRACTOR: |       |              |
| NOTE:       |       |              |
| JOB NO.:    | DATE: | SCALE: (NTS) |

| MARK: | QTY: | LENGTH: | LOCATION: |
|-------|------|---------|-----------|
|       |      |         |           |
|       |      |         |           |
|       |      |         |           |
|       |      |         |           |
|       |      |         |           |
|       |      |         |           |

## ARCHITECTURAL ART MFG.

6409 RHODE ISLAND AVE. RIVERDALE, MD 20737 PHONE (800) 835-0028 FAX (316) 462-0511 WWW.ARCHART.COM

AAM RESERVES THE RIGHT TO MAKE DESIGN CHANGES, OR TO WITHDRAW ANY DESIGN WITHOUT NOTICE

© COPYRIGHT 2008 AAM