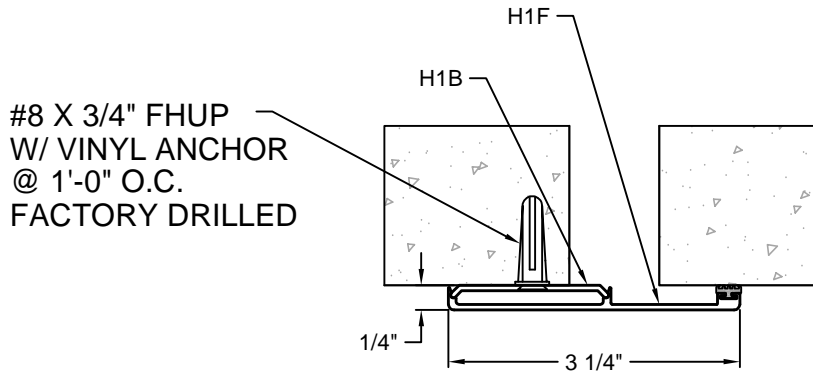


H10-55-14

REV. 12/07



DESCRIPTION: SNAP-ON WALL OF CEILING SYSTEM
 ALUMINUM: 6063-T5 EXTRUSION
 VINYL: 70 DUROMETER PVC
 EXPOSED FINISH: R1-204 CLEAR ANOCIZED
 STRIPPABLE PROTECTIVE TAPE
 ALLOWABLE LOAD: NOT DESIGNED FOR STRUCTURAL
 LOADS
 MOVEMENT: ±50% JOINT WIDTH
 STOCK LENGTHS: 10'-0"

CUSTOMER:		
PROJECT:		
LOCATION:		
ARCHITECT:		
CONTRACTOR:		
NOTE:		
JOB NO.:	DATE:	SCALE: (NTS)

LENGTH:	QTY:	COLOR/FINISH:



ARCHITECTURAL ART MFG., INC.

6409 RHODE ISLAND AVE. RIVERDALE, MD 20737

