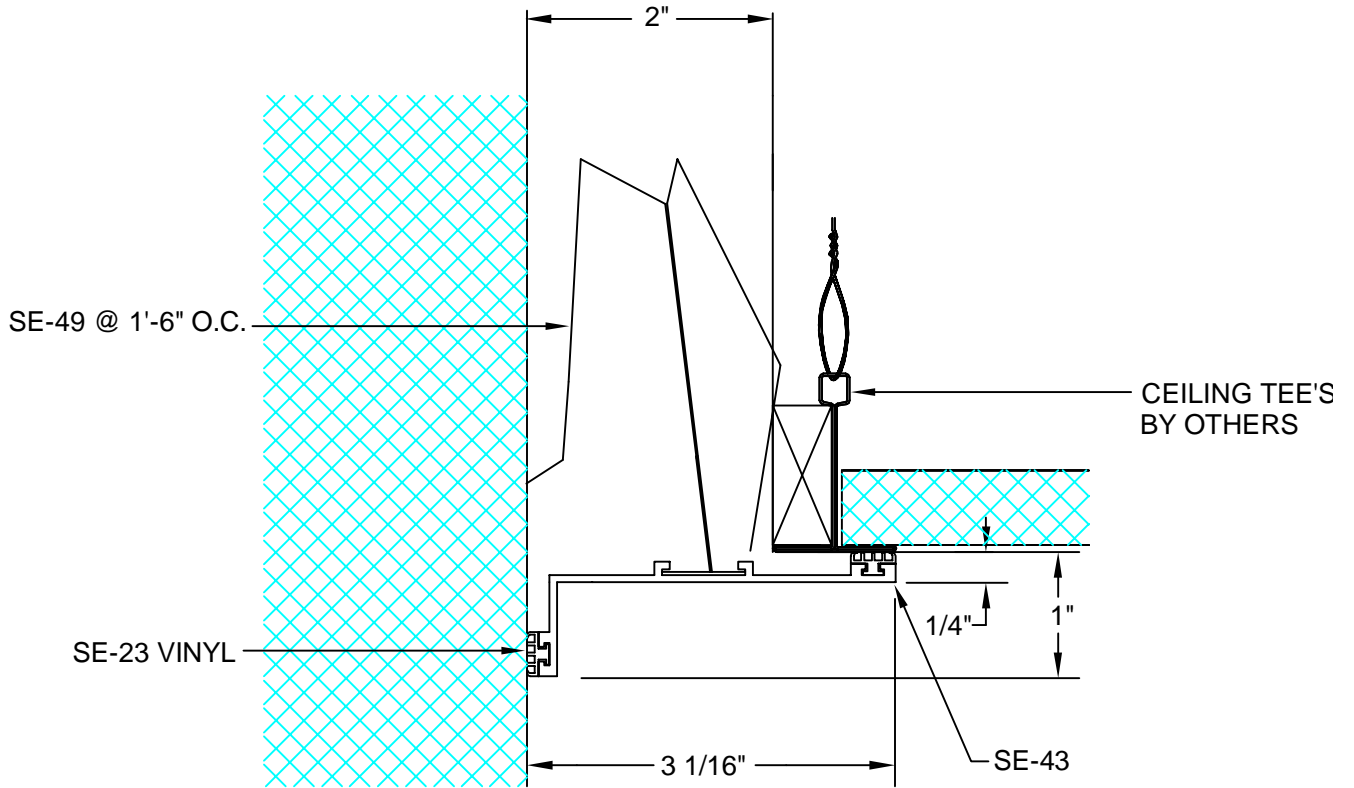


G20-72-14

REV. 7/06



DESCRIPTION: CLIP-IN CORNER WALL/CEILING SYSTEM

ALUMINUM: 6063-T5 EXTRUSION

VINYL: 70 DURO. PVC

EXPOSED FINISH: R1-204 CLEAR ANODIZED
STRIPPABLE PROTECTIVE TAPE

ALLOWABLE LOAD: NOT DESIGNED FOR STRUCTURAL LOADS

MOVEMENT: +/- 50% JOINT WIDTH

STOCK LENGTHS: 20'-0"

| | | |
|-------------|-------|--------------|
| CUSTOMER: | | |
| PROJECT: | | |
| LOCATION: | | |
| ARCHITECT: | | |
| CONTRACTOR: | | |
| NOTE: | | |
| JOB NO.: | DATE: | SCALE: (NTS) |

| LENGTH: | QTY: | COLOR/FINISH: |
|---------|------|---------------|
| | | |
| | | |
| | | |
| | | |
| | | |



ARCHITECTURAL ART MFG., INC.

6409 RHODE ISLAND AVE. RIVERDALE, MD 20737

