

PFI-12RSME

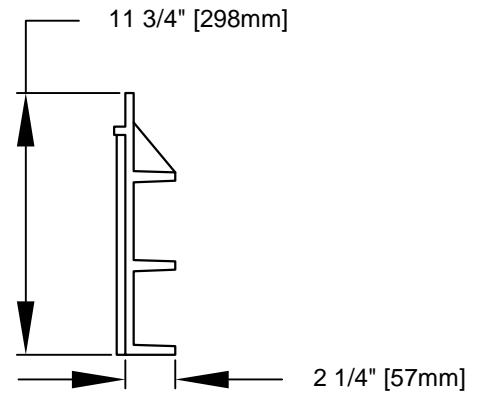
LLB MOUNTING BRACKET
1 PER PANEL

PFI-28X12 PANEL

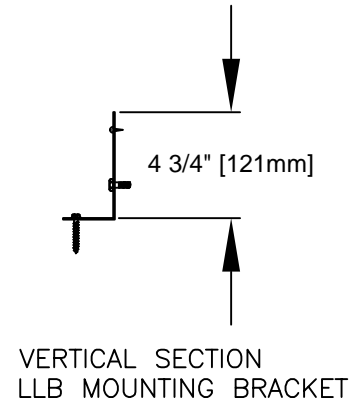
2'-4" [711mm]

PFI-12LSME

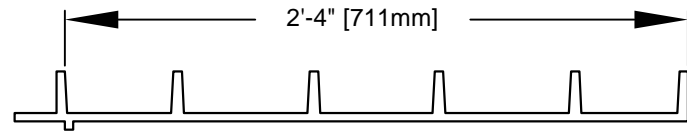
F28-1Q-12
REV. 02-10



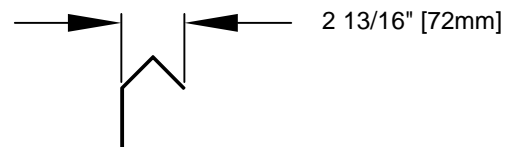
VERTICAL SECTION VIEW A-A
OF PFI-28X12 PANEL



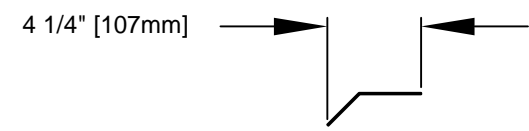
VERTICAL SECTION
LLB MOUNTING BRACKET



PLAN VIEW OF
PFI-28X12 PANEL



PFI-12LSME



PFI-12RSME



**Architectural Art
MANUFACTURING**

Division of Pittcon Architectural Metals, LLC
283 SWANSON DRIVE, STE 103
LAWRENCEVILLE, GA 30043
PH: (678) 680-7373 FAX: (678) 735-0085
TOLL FREE: (800) 835-0028 web: www.archart.com

Pocket Form Isolator - F28-1Q-12

DRAWN BY:
NDC

SCALE:
NTS

DRAWING NO.:

SHT. 1 OF 1

ISSUE DATE:
2/14/10

PFI-01

NO.	DESCRIPTION	BY	DATE

REVISIONS

The information contained herein is the proprietary property of **ARCHITECTURAL ART MFG.**, Division of Pittcon Architectural Metals, LLC. No portion of it may be reproduced by any means or used in any form except for the purpose for which it was furnished. All rights of design and invention are hereby reserved. We reserve the right to make changes in the design at our discretion.