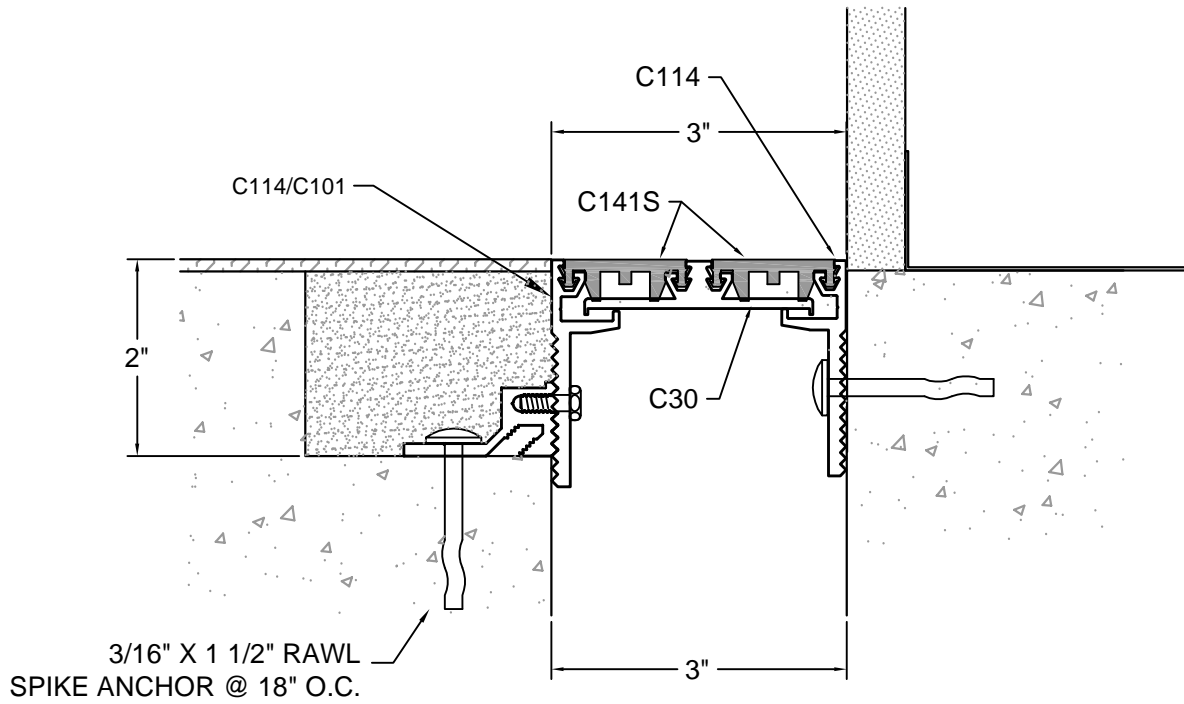


COLOR SELECTOR			
BLACK	_____	BROWN	_____
BEIGE	_____	GRAY	_____
WHITE	_____		



DESCRIPTION: NEW TO EXISTING FLOOR
 ALUMINUM: 6063-T5 EXTRUSION
 SANTOPRENE: 691-65A
 EXPOSED FINISH: MILL
 MOVEMENT: +/- 25% JOINT WIDTH
 STOCK LENGTHS: 20'-0"

C30-31-91
 REV. 07/08



**Architectural Art
 MANUFACTURING**
 Division of Pittcon Architectural Metals, LLC
 283 SWANSON DRIVE, STE 103
 LAWRENCEVILLE, GA 30043
 PH: (678) 680-7373 FAX: (678) 735-0085
 TOLL FREE: (800) 835-0028 web: www.archart.com

NEW TO EXISTING FLOOR
 MODEL: C30-31-91
 DRAWN BY: NDC
 SCALE: NTS
 DRAWING NO.: **DTL-01**
 SHT. 1 OF 1
 ISSUE DATE: 07/1/09

NO.	DESCRIPTION	BY	DATE
REVISIONS			
<p>The information contained herein is the proprietary property of ARCHITECTURAL ART MFG., Division of Pittcon Architectural Metals, LLC. No portion of it may be reproduced by any means or used in any form except for the purpose for which it was furnished. All rights of design and invention are hereby reserved. We reserve the right to make changes in the design at our discretion.</p>			