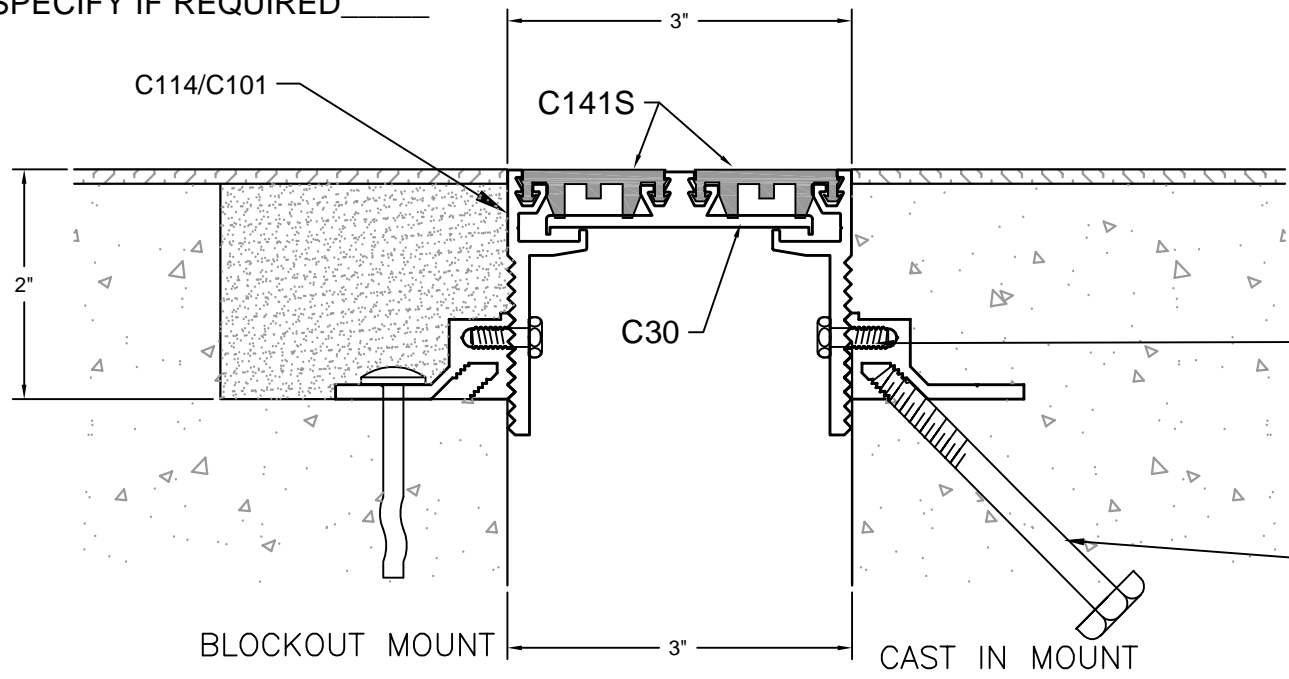


CAST IN MOUNT STANDARD
BLOCKOUT MOUNT OPTIONAL
SPECIFY IF REQUIRED _____

COLOR SELECTOR	
BLACK _____	BROWN _____
BEIGE _____	GRAY _____
WHITE _____	



#10-24 x 1/2"
HEX HD. BOLTS
@ 1'-6" O.C.
FACTORY INSTALLED

1/4" X 2 3/4"
HEX HD. BOLTS
@ 1'-6" O.C.

DESCRIPTION: FLOOR-TO-FLOOR
ALUMINUM: 6063-T5 EXTRUSION
SANTOPRENE: 691-65A
EXPOSED FINISH: MILL
MOVEMENT: +/- 25% JOINT WIDTH
STOCK LENGTHS: 20'-0"

C30-11-91
REV. 4/08



**Architectural Art
MANUFACTURING**

Division of Pittcon Architectural Metals, LLC
283 SWANSON DRIVE, STE 103
LAWRENCEVILLE, GA 30043
PH: (678) 680-7373 FAX: (678) 735-0085
TOLL FREE: (800) 835-0028 web: www.archart.com

INTERIOR FLR - FLR SYSTEM

MODEL: C30-11-91

DRAWN BY:
NDC

SCALE:
NTS

DRAWING NO.:

SHT. 1 OF 1

ISSUE DATE:
7/0609

DTL-01

NO.	DESCRIPTION	BY	DATE

REVISIONS

The information contained herein is the proprietary property of **ARCHITECTURAL ART MFG.**, Division of Pittcon Architectural Metals, LLC. No portion of it may be reproduced by any means or used in any form except for the purpose for which it was furnished. All rights of design and invention are hereby reserved. We reserve the right to make changes in the design at our discretion.