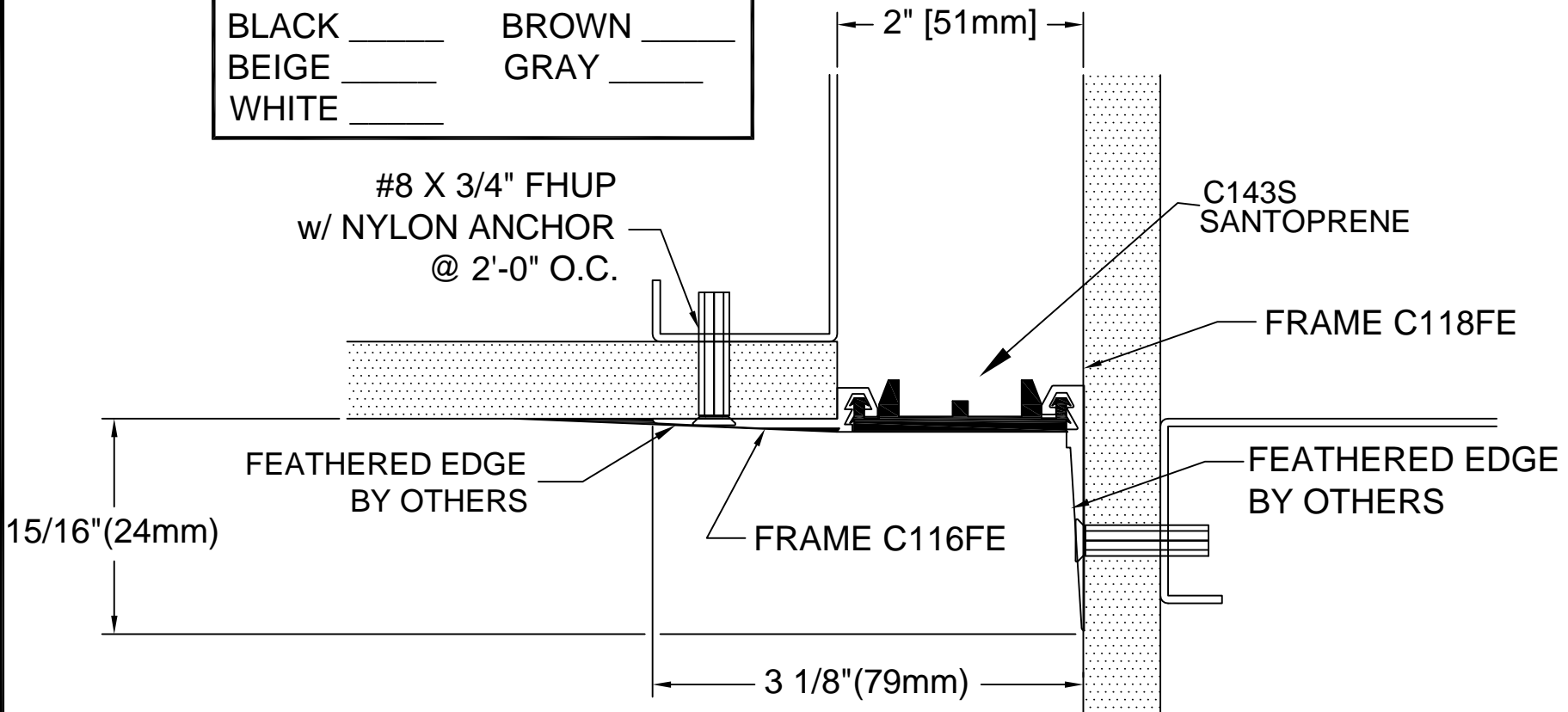


COLOR SELECTOR	
BLACK _____	BROWN _____
BEIGE _____	GRAY _____
WHITE _____	



DESCRIPTION: CORNER WALL TO WALL / CEILING TO CEILING GYP. BD.

ALUMINUM: 6063-T5 EXTRUSION

SANTOPRENE: 70 DURO. PVC

EXPOSED FINISH: MILL ALUMINUM

MOVEMENT: +/- 25% JOINT WIDTH

STOCK LENGTHS: 20'-0"

C20-64-94
REV. 12/08



**Architectural Art
MANUFACTURING**

Division of Pittcon Architectural Metals, LLC
283 SWANSON DRIVE, STE 103
LAWRENCEVILLE, GA 30043
PH: (678) 680-7373 FAX: (678) 735-0085
TOLL FREE: (800) 225-2222 web: www.archart.com

INTERIOR WALL/CLG JOINT COVER

MODEL: C20-64-94

DRAWN BY:
NDC

SCALE:
NTS

DRAWING NO.:

DTL-02

SHT. 2 OF 2

ISSUE DATE:
07/1/09

NO.	DESCRIPTION	BY	DATE

REVISIONS

The information contained herein is the proprietary property of **ARCHITECTURAL ART MFG.**, Division of Pittcon Architectural Metals, LLC. No portion of it may be reproduced by any means or used in any form except for the purpose for which it was furnished. All rights of design and invention are hereby reserved. We reserve the right to make changes in the design at any discretion.