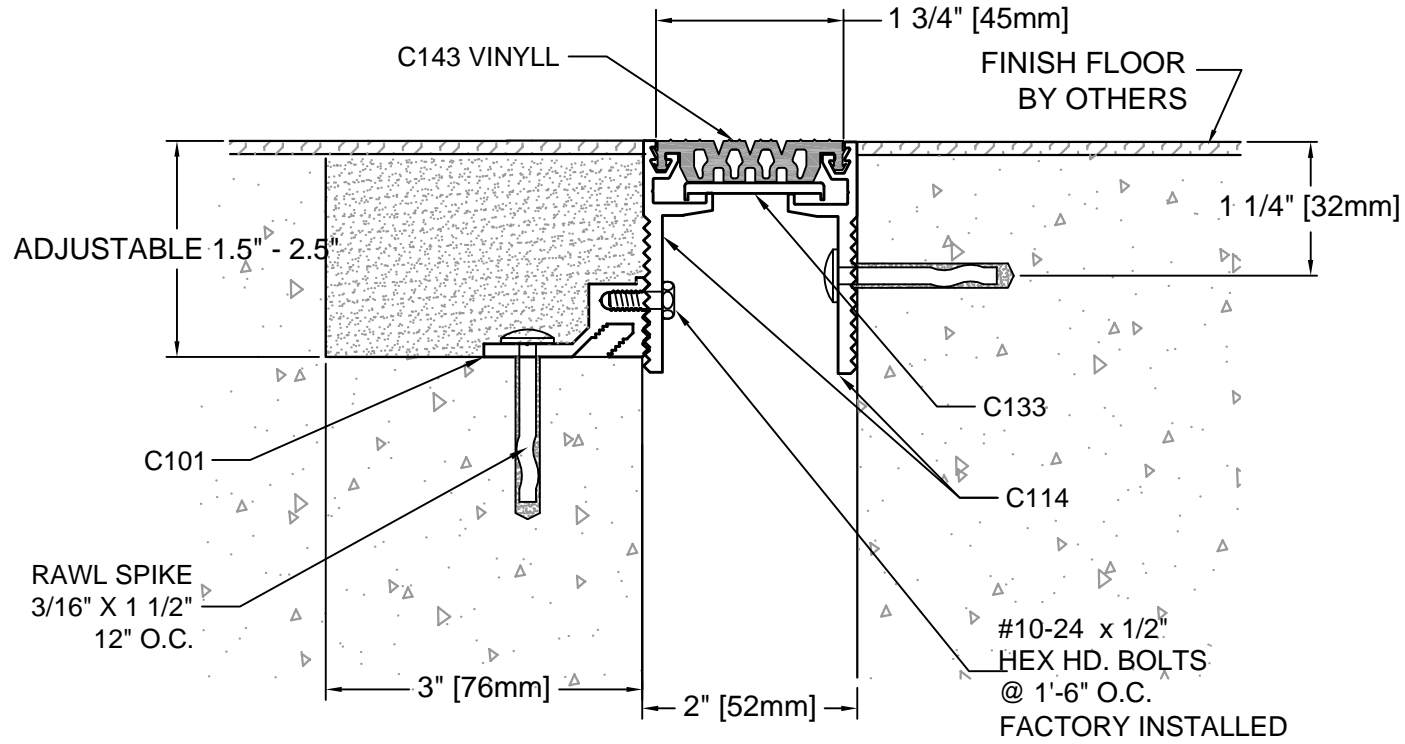


COLOR SELECTOR	
BLACK _____	BROWN _____
BEIGE _____	GRAY _____
WHITE _____	



DESCRIPTION: FLOOR-TO-FLOOR
 ALUMINUM: 6063-T5 EXTRUSION
 VINYL: 70 DURO. PVC
 EXPOSED FINISH: MILL
 MOVEMENT: +/- 25% JOINT WIDTH
 STOCK LENGTHS: 20'-0"

C20-31-41
 REV. 4/08



**Architectural Art
 MANUFACTURING**
 Division of Pittcon Architectural Metals, LLC
 283 SWANSON DRIVE, STE 103
 LAWRENCEVILLE, GA 30043
 PH: (678) 680-7373 FAX: (678) 735-0085
 TOLL FREE: (800) 225-0022 web: www.archart.com

INTERIOR FLR - FLR SYSTEM		
MODEL: C20-31-41		
DRAWN BY: NDC	SCALE: NTS	DRAWING NO.:
SHT. 1 OF 1	ISSUE DATE: 7/9/09	DTL-01

NO.	DESCRIPTION	BY	DATE
REVISIONS			
The information contained herein is the proprietary property of ARCHITECTURAL ART MFG. , Division of Pittcon Architectural Metals, LLC. No portion of it may be reproduced by any means or used in any form except for the purpose for which it was furnished. All rights of design and invention are hereby reserved. We reserve the right to make changes in the design at any discretion.			