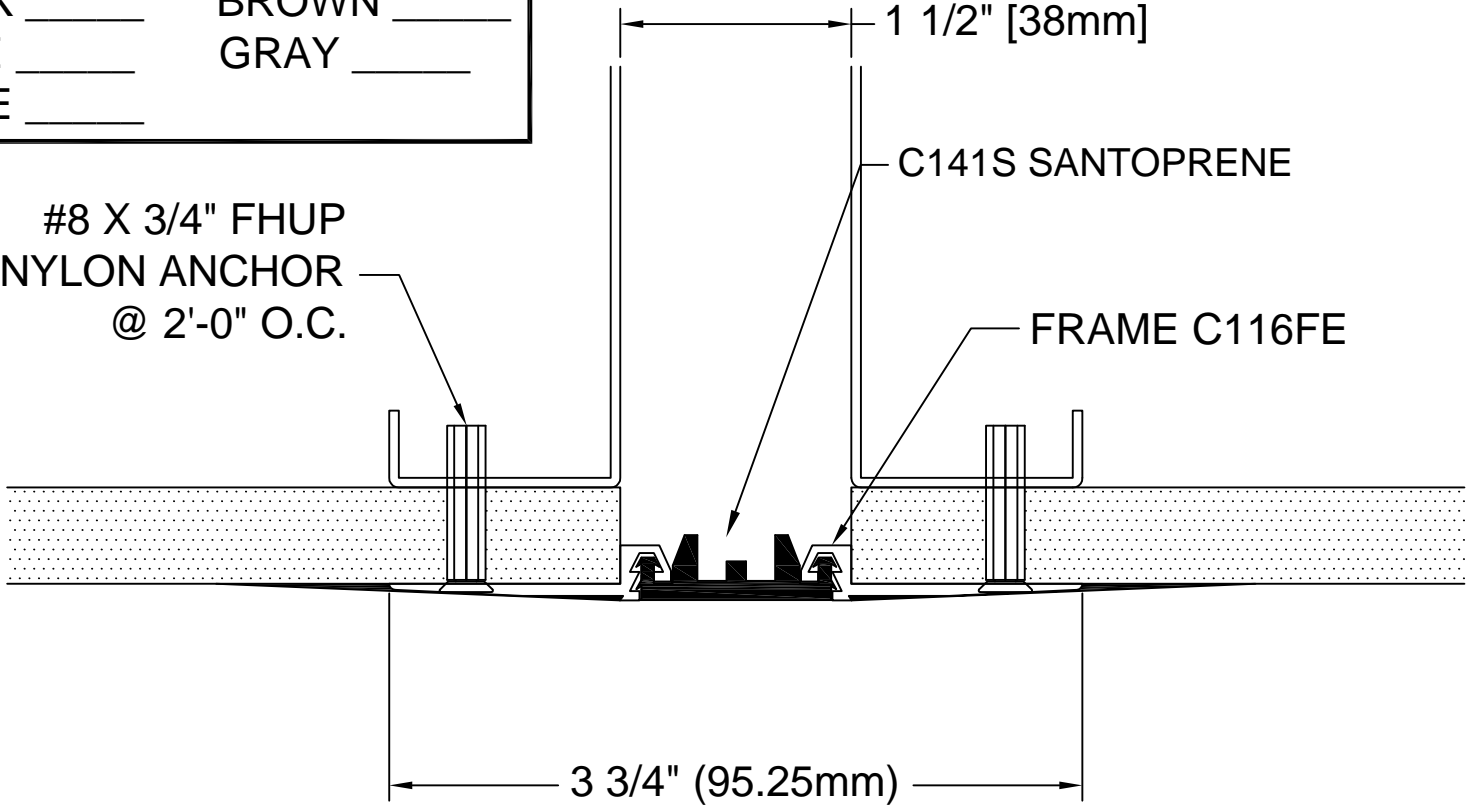


COLOR SELECTOR
 BLACK _____ BROWN _____
 BEIGE _____ GRAY _____
 WHITE _____

#8 X 3/4" FHUP
 w/ NYLON ANCHOR
 @ 2'-0" O.C.



DESCRIPTION: WALL TO WALL / CEILING TO CEILING GYP. BD.
 ALUMINUM: 6063-T5 EXTRUSION
 SANTOPRENE: 70 DURO. PVC
 EXPOSED FINISH: MILL ALUMINUM
 MOVEMENT: +/- 25% JOINT WIDTH
 STOCK LENGTHS: 20'-0"

C15-54-94
 REV. 12/08



**Architectural Art
 MANUFACTURING**
 Division of Pittcon Architectural Metals, LLC
 283 SWANSON DRIVE, STE 103
 LAWRENCEVILLE, GA 30043
 PH: (678) 680-7373 FAX: (678) 735-0085
 TOLL FREE: (800) 225-2222 web: www.archart.com

INTERIOR WALL/CLG JOINT COVER

MODEL: C15-54-94

DRAWN BY: NDC	SCALE: NTS	DRAWING NO.:
SHT. 1 OF 1	ISSUE DATE: 07/1/09	DTL-01

NO.	DESCRIPTION	BY	DATE
REVISIONS			
<small>The information contained herein is the proprietary property of ARCHITECTURAL ART MFG., Division of Pittcon Architectural Metals, LLC. No portion of it may be reproduced by any means or used in any form except for the purpose for which it was furnished. All rights of design and invention are hereby reserved. We reserve the right to make changes in the design at our discretion.</small>			