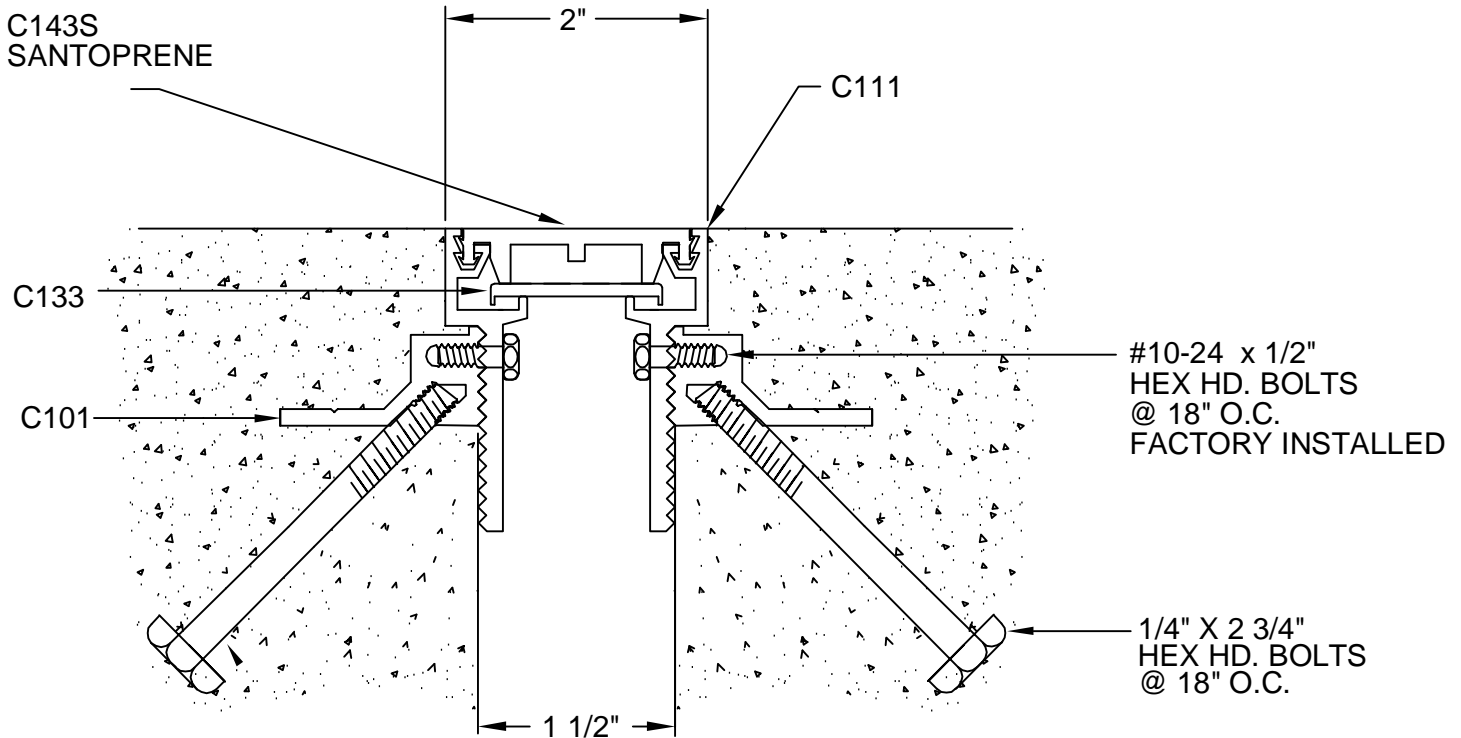


C15-11-91

REV. 7/06



DESCRIPTION: FLOOR-TO-FLOOR
 ALUMINUM: 6063-T5 EXTRUSION
 SANTOPRENE: 70 DURO.
 EXPOSED FINISH: MILL

STRIPPABLE PROTECTIVE TAPE

ZINC CHROMATE AREAS IN CONTACT W/ WET CEMENT

ALLOWABLE LOAD: 2554 LB/LF @ MAX. OPENING

MOVEMENT: +/- 25% JOINT WIDTH

STOCK LENGTHS: 20'-0"

CUSTOMER:		
PROJECT:		
LOCATION:		
ARCHITECT:		
CONTRACTOR:		
NOTE:		
JOB NO.:	DATE:	SCALE: (NTS)

LENGTH:	QTY:	COLOR/FINISH:



ARCHITECTURAL ART MFG., INC.

6409 RHODE ISLAND AVE. RIVERDALE, MD 20737

