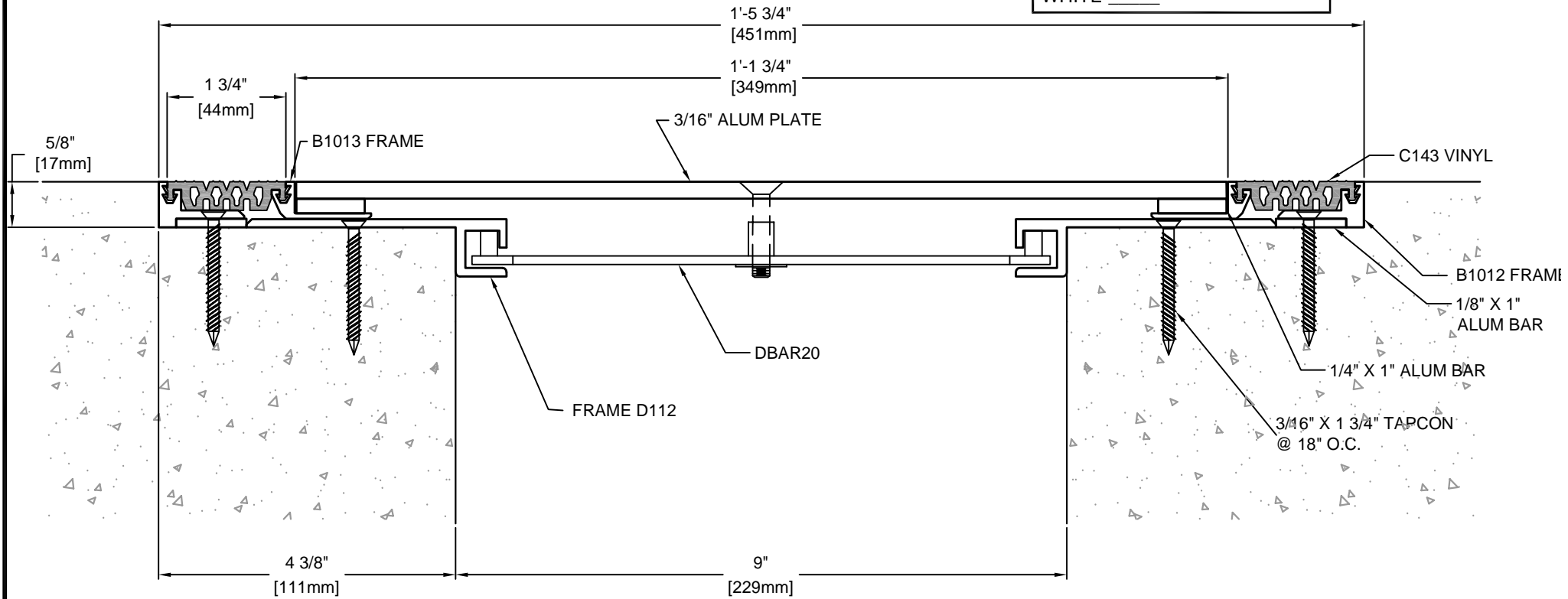


| COLOR SELECTOR |             |
|----------------|-------------|
| BLACK _____    | BROWN _____ |
| BEIGE _____    | GRAY _____  |
| WHITE _____    |             |



DESCRIPTION: FLOOR-TO-FLOOR  
 ALUMINUM: 6063-T5 EXTRUSION  
 VINYL: 70 DURO. PVC  
 EXPOSED FINISH: MILL  
 MOVEMENT: +/- 50% JOINT WIDTH  
 STOCK LENGTHS: 10'-0"

**B90-16-11**  
 REV. 08/09



**Architectural Art  
 MANUFACTURING**  
 Division of Pittcon Architectural Metals, LLC  
 283 SWANSON DRIVE, STE 103  
 LAWRENCEVILLE, GA 30043  
 PH: (678) 680-7373 FAX: (678) 735-0085  
 TOLL FREE: (800) 835-0028 web: www.archart.com

**RIGHTS OF DESIGN**  
 All rights of design, detail, engineering and/or invention contained herein are the property of Architectural Art Mfg. and hereby are the property and are not to be reproduced or provided to any other party. Architectural Art Mfg. reserves the right to amend or withdraw any information contained herein without notice and will not be liable for any inaccuracy or ambiguity of said information.

|                                  |                         |               |
|----------------------------------|-------------------------|---------------|
| <b>INTERIOR FLR - FLR SYSTEM</b> |                         |               |
| MODEL: B90-16-11                 |                         |               |
| DRAWN BY:<br>NDC                 | SCALE:<br>NTS           | DRAWING NO.:  |
| SHT. 1 OF 1                      | ISSUE DATE:<br>08/29/09 | <b>DTL-01</b> |