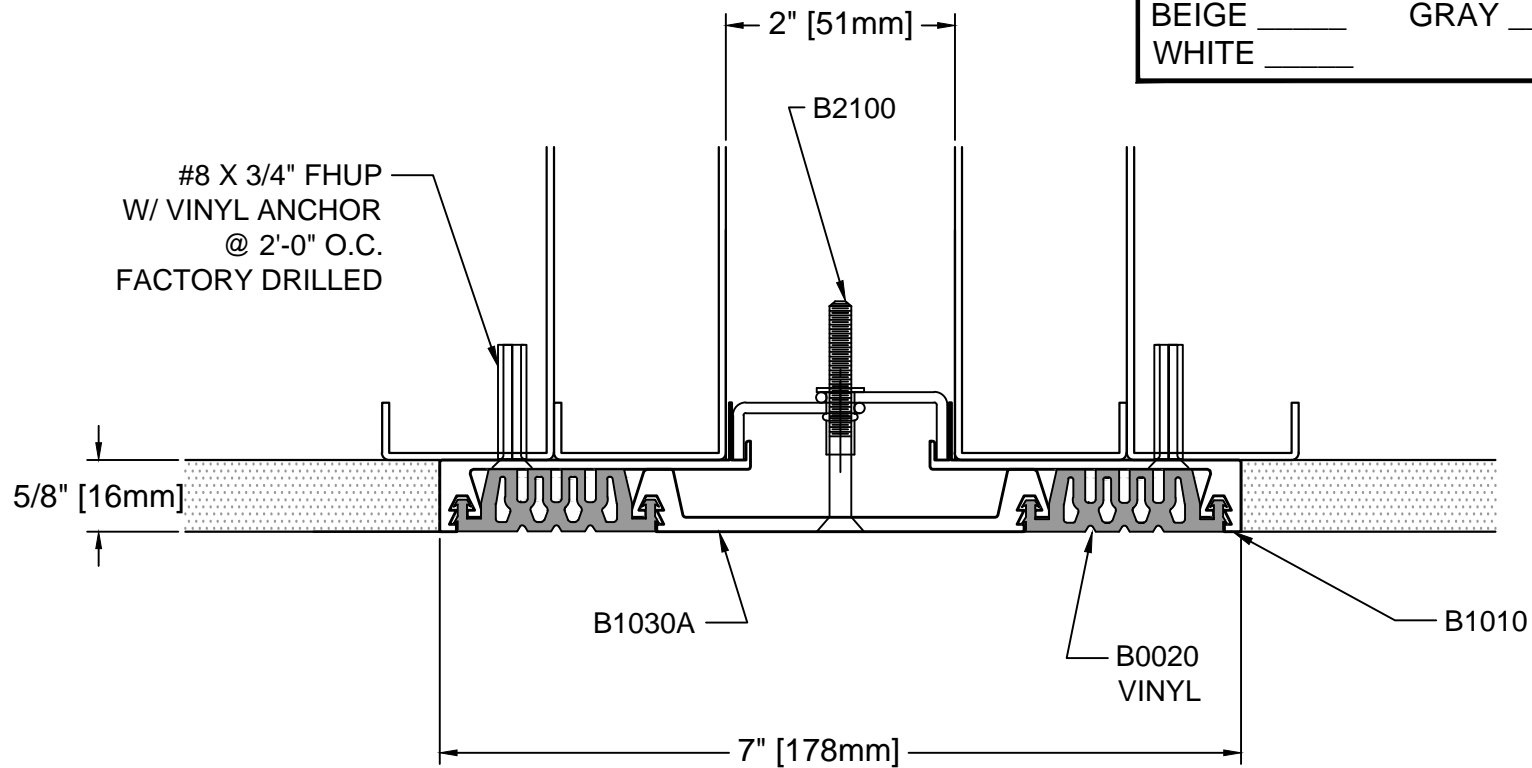


COLOR SELECTOR	
BLACK _____	BROWN _____
BEIGE _____	GRAY _____
WHITE _____	



DESCRIPTION: WALL TO WALL
 ALUMINUM: 6063-T5 EXTRUSION
 FINISH: CLEAR ANODIZED
 ALLOWABLE LOAD: NOT INTENDED FOR STRUCTURAL LOADS
 MOVEMENT: +/- 50% JOINT WIDTH
 STOCK LENGTHS: 20'-0"

B20-51-14
 REV. 08/08



Architectural Art
MANUFACTURING

Division of Pittcon Architectural Metals, LLC
 283 SWANSON DRIVE, STE 103
 LAWRENCEVILLE, GA 30043
 PH: (678) 680-7373 FAX: (678) 735-0085
 TOLL FREE: (800) 835-0028 web: www.archart.com

WALL TO WALL JOINT COVER

MODEL: B20-51-14

DRAWN BY:
NDC

SHT. 1 OF 1

SCALE:
NTS

ISSUE DATE:
08/07/2009

DRAWING NO.:

DTL-01

NO.	DESCRIPTION	BY	DATE

REVISIONS

The information contained herein is the proprietary property of **ARCHITECTURAL ART MFG.**, Division of Pittcon Architectural Metals, LLC. No portion of it may be reproduced by any means or used in any form except for the purpose for which it was furnished. All rights of design and invention are hereby reserved. We reserve the right to make changes in the design at our discretion.