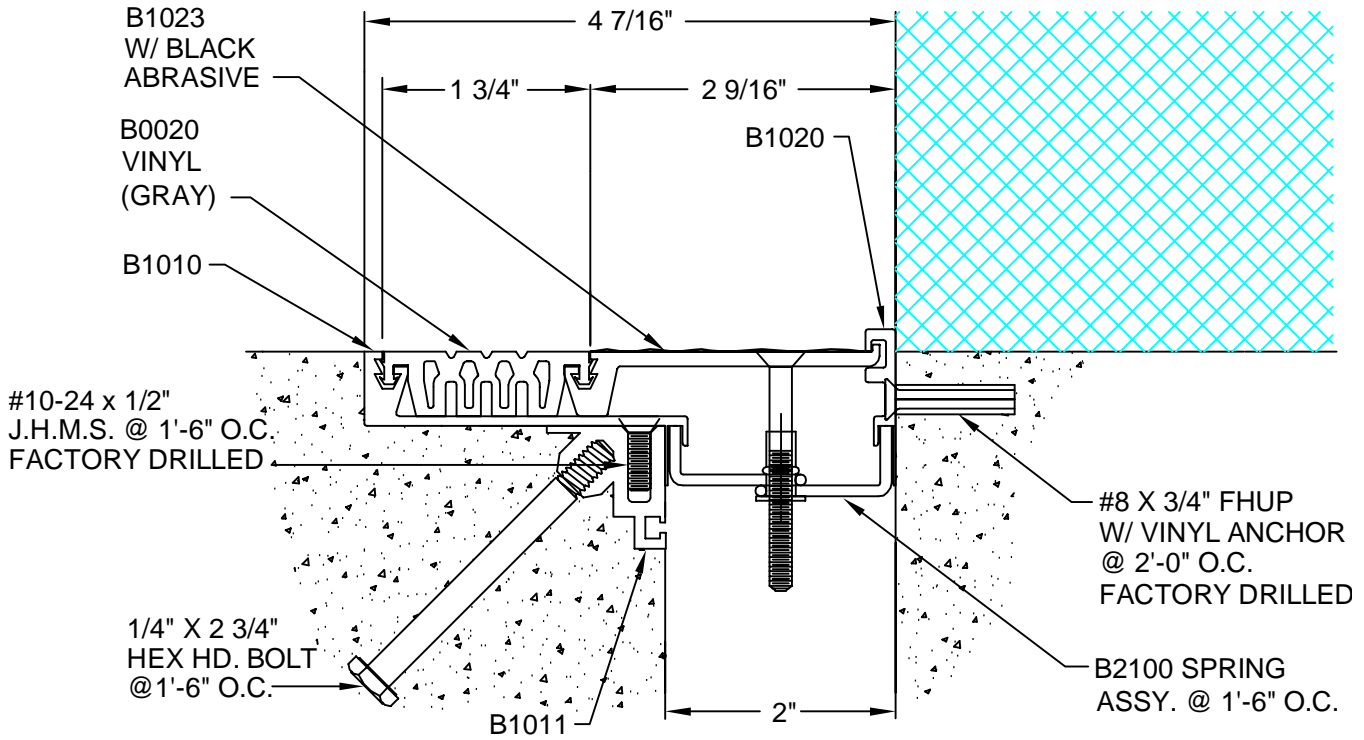


# B20-31-16

REV. 7/06



**DESCRIPTION:** FLOOR-TO-WALL  
**ALUMINUM:** 6063-T5 EXTRUSION  
**VINYL:** 70 DURO. PVC  
**EXPOSED FINISH:** MILL  
**ABRASIVE:** BLACK ABRASIVE GRIT ON  
 HIGH- BONDING, PRESSURE-  
 SENSITIVE ADHESIVE  
**ZINC CHROMATE** IN AREAS W/ WET CEMENT  
**ALLOWABLE LOAD:** 1166 LB/LF @ MAX OPENING  
**MOVEMENT:** +/- 25% JOINT WIDTH  
**STOCK LENGTHS:** 20'-0"

<b>CUSTOMER:</b>		
<b>PROJECT:</b>		
<b>LOCATION:</b>		
<b>ARCHITECT:</b>		
<b>CONTRACTOR:</b>		
<b>NOTE:</b>		
<b>JOB NO.:</b>	<b>DATE:</b>	<b>SCALE: (NTS)</b>

LENGTH:	QTY:	COLOR/FINISH: