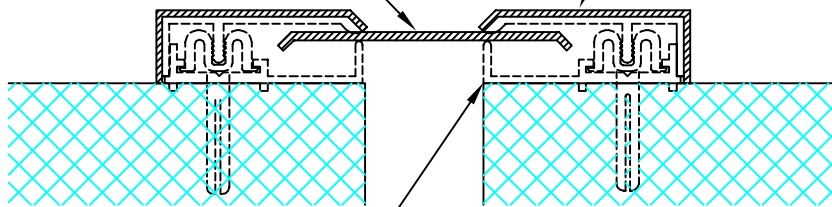


H Cladding

REV. 8/06

18 GA. STAINLESS STEEL
OR
.063" MUNTZ METAL (BRONZE)

22 GA. STAINLESS STEEL
OR
.050" MUNTZ METAL (BRONZE)



REF.

EXPOSED FINISH #4 SATIN

SERIES "H" (1"-2") STAINLESS STEEL CLADDING: #HCLADDING-SS

SERIES "H" (1"-2") BRONZE CLADDING: #HCLADDING-MM

CUSTOMER:		
PROJECT:		
LOCATION:		
ARCHITECT:		
CONTRACTOR:		
NOTE:		
JOB NO.:	DATE:	SCALE: (NTS)

LENGTH:	QTY:	COLOR/FINISH:



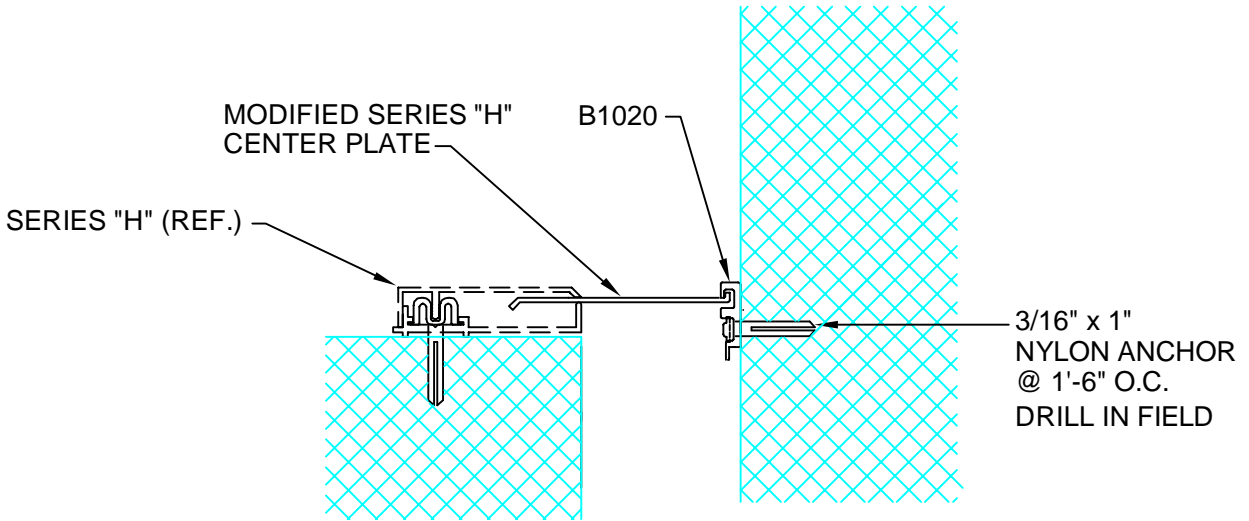
ARCHITECTURAL ART MFG., INC.

6409 RHODE ISLAND AVE. RIVERDALE, MD 20737



H N/E Mount

REV. 8/06



SERIES "H" (1"-2") NEW/EXISTING MOUNT: #HN/E MOUNT

CUSTOMER:			LENGTH:	QTY:	COLOR/FINISH:
PROJECT:					
LOCATION:					
ARCHITECT:					
CONTRACTOR:					
NOTE:					
JOB NO.:	DATE:	SCALE: (NTS)			



ARCHITECTURAL ART MFG., INC.
6409 RHODE ISLAND AVE. RIVERDALE, MD 20737

