

A Block-out

REV. 8/06

BLOCKOUT DEPTH VARIES
SEE E.J.C. TYPE

GROUT
(BY OTHERS)

GE-10 (REF.)

RAWL SPIKE
3/16" X 1 1/2"
ANCHOR @
1'-0" O.C.
FACTORY DRILLED

3 1/2"
MIN. BLOCKOUT WIDTH

SERIES "A" (1"-2") BLOCKOUT INSTALLATION

CUSTOMER:		
PROJECT:		
LOCATION:		
ARCHITECT:		
CONTRACTOR:		
NOTE:		
JOB NO.:	DATE:	SCALE: (NTS)

LENGTH:	QTY:	COLOR/FINISH:

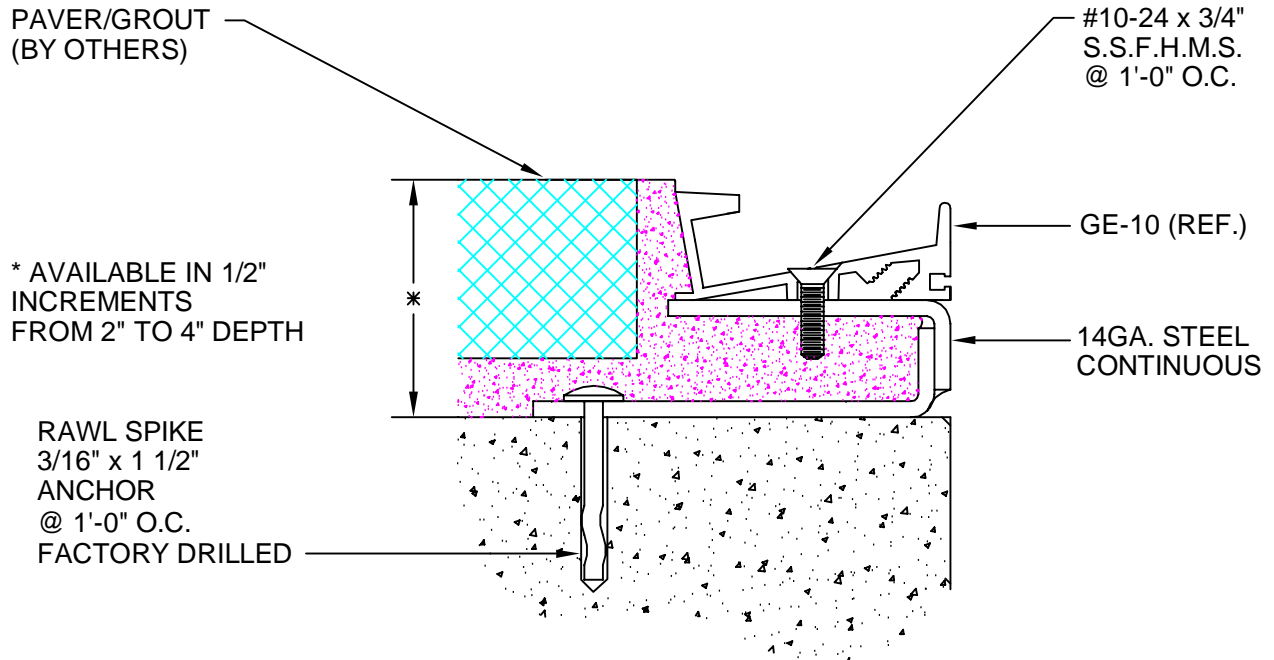


ARCHITECTURAL ART MFG., INC.
6409 RHODE ISLAND AVE. RIVERDALE, MD 20737



A Top Slab

REV. 8/06



SERIES "A" (1" - 2") TOPPING SLAB INSTALLATION

CUSTOMER:		
PROJECT:		
LOCATION:		
ARCHITECT:		
CONTRACTOR:		
NOTE:		
JOB NO.:	DATE:	SCALE: (NTS)

LENGTH:	QTY:	COLOR/FINISH:



ARCHITECTURAL ART MFG., INC.

6409 RHODE ISLAND AVE. RIVERDALE, MD 20737

