

INSTALLATION INSTRUCTIONS

Each installation may have unique situations that cannot be covered by the following guidelines. Please call 1-800-835-0028 if you have questions.

T01

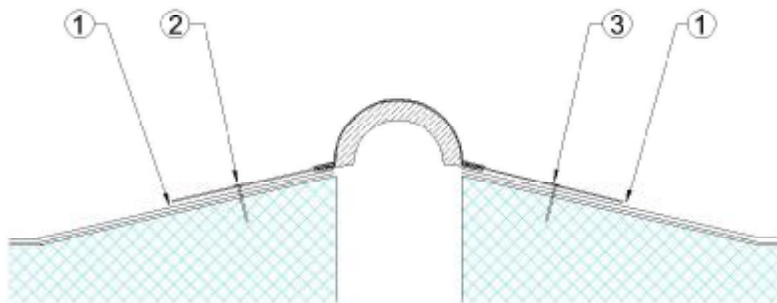
REV 10/06

GENERAL INSTRUCTIONS:

1. Install all intersections and transitions first.
2. Leaving a ½” space, start straight runs at intersections or transitions.
3. Cut slots in flanges at 25 foot intervals on aluminum, stainless, and copper flanges; and 50 foot intervals on galvanized steel flanges to allow expansion of metal and cover with full splice.

SPECIFIC INSTRUCTIONS:

- Step 1: Snap line 4” both sides of joint opening and trowel on mastic compatible with membrane to line, both sides.
- Step 2: Embed first flange in mastic and nail with 1 ¼” roofing nails at 4” on center starting at 1” from end.
- Step 3: Squeeze bellows and embed second flange and nail as above. Allow ½” space between each straight run and intersections or transitions.



ARCHITECTURAL ART MFG.
6409 Rhode Island Ave. Riverdale, MD 20737



INSTALLATION INSTRUCTIONS

Each installation may have unique situations that cannot be covered by the following guidelines. Please call 1-800-835-0028 if you have questions.

T02

REV 10/06

GENERAL INSTRUCTIONS:

1. Install all intersections and transitions first.
2. Leaving a 1/2" space, start straight runs at intersections or transitions.
3. Cut slots in flanges at 25 foot intervals on aluminum, stainless, and copper flanges; and 50 foot intervals on galvanized steel flanges to allow expansion of metal and cover with full splice.

SPECIFIC INSTRUCTIONS:

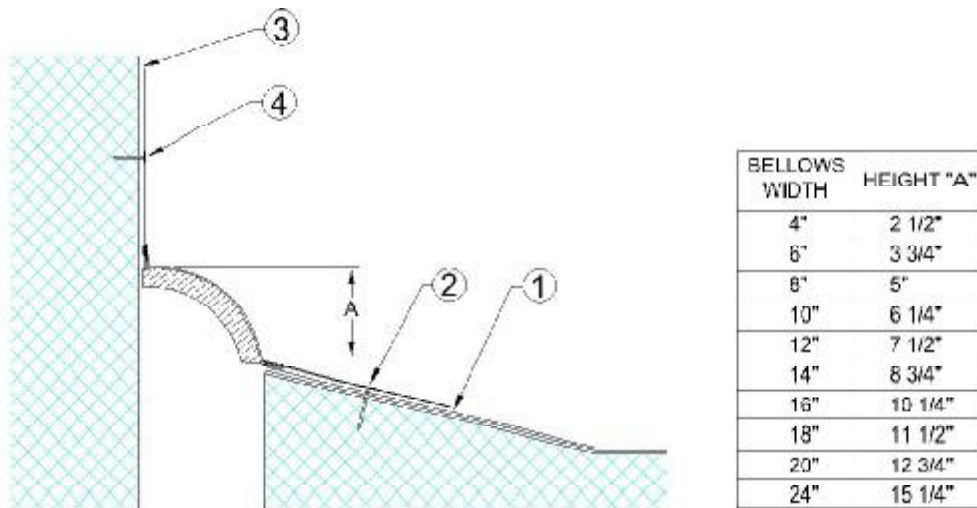
Step 1: Snap line 4" from joint opening on roof and trowel on mastic compatible with membrane to line.

Step 2: Install first flange on roof. Embed flange in mastic and nail with 1 1/4" roofing nails at 4" on center starting at 1" from end.

Step 3: For wall flange, snap line 4" above dimension "A" as shown on chart. Apply membrane-compatible mastic to the back side of wall flange.

Step 4: Squeeze bellows and position flange to snap line and nail at 8" on center starting at 1" from end with fasteners appropriate for wall material.

NOTE: Counter-flashing by others must be installed to cover wall flange.



ARCHITECTURAL ART MFG.
6409 Rhode Island Ave. Riverdale, MD 20737



INSTALLATION INSTRUCTIONS

Each installation may have unique situations that cannot be covered by the following guidelines. Please call 1-800-835-0028 if you have questions.

T03

REV 10/06

GENERAL INSTRUCTIONS:

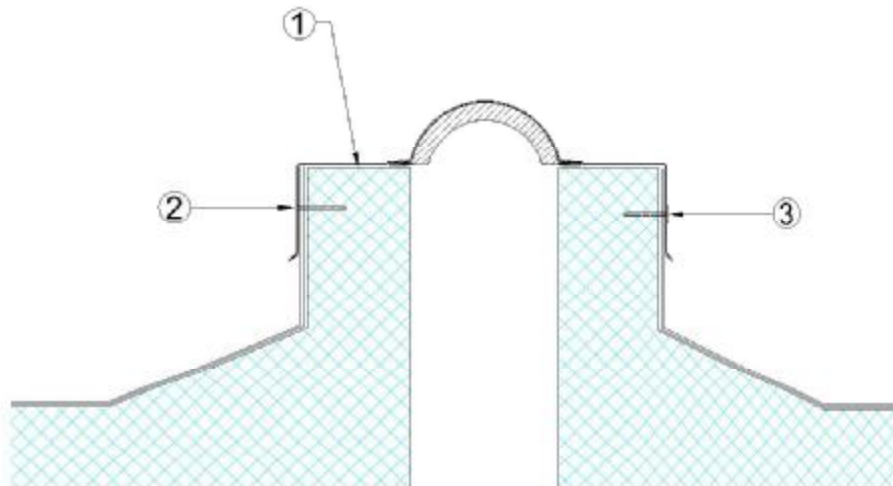
1. Install all intersections and transitions first.
2. Leaving a ½” space, start 10 foot sections at intersections or transitions.

SPECIFIC INSTRUCTIONS:

Step 1: After membrane flashing is installed on curbs, apply membrane-compatible mastic along top edge of flashing.

Step 2: Set first curb-formed flange over curb and nail at 8” on center starting 1” from end using 1 ¾” grommets roofing nails.

Step 3: Squeeze bellows and set second flange over curb and nail as above. Allow ½” space between each 10 foot sections.



ARCHITECTURAL ART MFG.
6409 Rhode Island Ave. Riverdale, MD 20737



INSTALLATION INSTRUCTIONS

Each installation may have unique situations that cannot be covered by the following guidelines. Please call 1-800-835-0028 if you have questions.

T04

REV 10/06

GENERAL INSTRUCTIONS:

1. Install all intersections and transitions first.
2. Leaving a 1/2" space, start straight runs at intersections or transitions.

SPECIFIC INSTRUCTIONS:

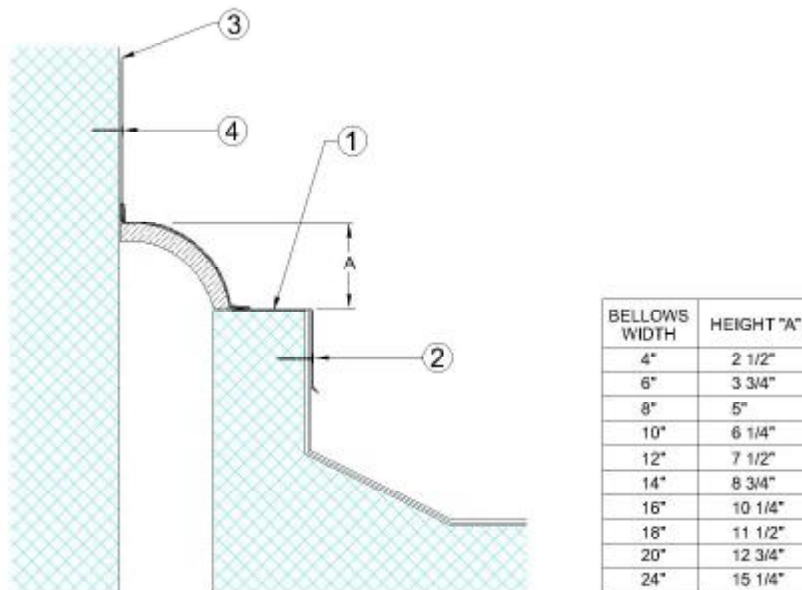
Step 1: After membrane flashing is installed on curb, apply membrane-compatible mastic along top edge of flashing.

Step 2: Set curb formed flange over curb and nail at 8" on center starting 1" from end using 1 3/4" grommets roofing nails.

Step 3: For wall flange, snap line 4" above dimension "A" as shown on chart. Apply membrane-compatible mastic to the back side of wall flange.

Step 4: Squeeze bellows and position flange to snap line and nail at 8" on center starting at 1" from end with fasteners appropriate for wall material.

NOTE: Counter-flashing by others must be installed to cover wall flange.



ARCHITECTURAL ART MFG.
6409 Rhode Island Ave. Riverdale, MD 20737



INSTALLATION INSTRUCTIONS

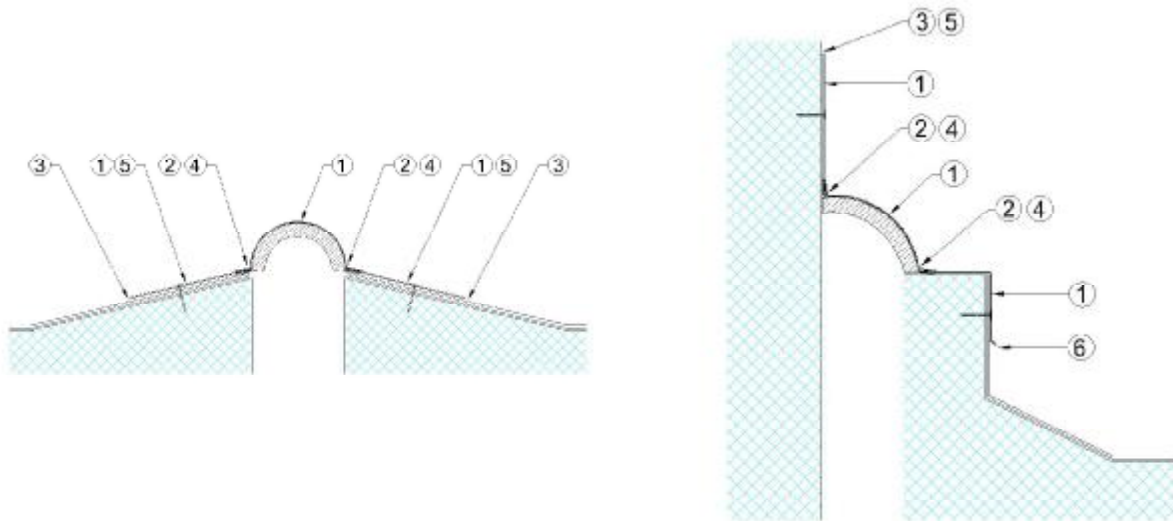
Each installation may have unique situations that cannot be covered by the following guidelines. Please call 1-800-835-0028 if you have questions.

T05

REV 10/06

SPLICING INSTRUCTIONS:

- Step 1: Prime metal flanges and bellows with brush to 3" each side of splice location and allow to dry tack-free.
- Step 2: Caulk ¼" bead along seam where metal flange joins bellows, 3 ½" each side of splice.
- Step 3: Install 6" wide peel-and-stick splice tab, removing backer sheet ahead of application. Extend tab onto roof 4" beyond metal flange. On wall flange, trim tab at top of flange.
- Step 4: Work in tab well, especially at seam where metal flange joins bellows (over caulking bead).
- Step 5: On roof flanges, install strip over flange using compatible membrane and adhesive with the roof system. On wall flange, counter-flashing must cover metal flange.
- Step 6: On curb-formed flanges, terminate tab at bottom edge of metal flange.



ARCHITECTURAL ART MFG.
6409 Rhode Island Ave. Riverdale, MD 20737

