

INSTALLATION INSTRUCTIONS

Each installation may have unique situations that cannot be covered by the following guidelines. Please call 1-800-835-0028 if you have questions.

R01

REV 03/11

INTERIOR APPLICATION

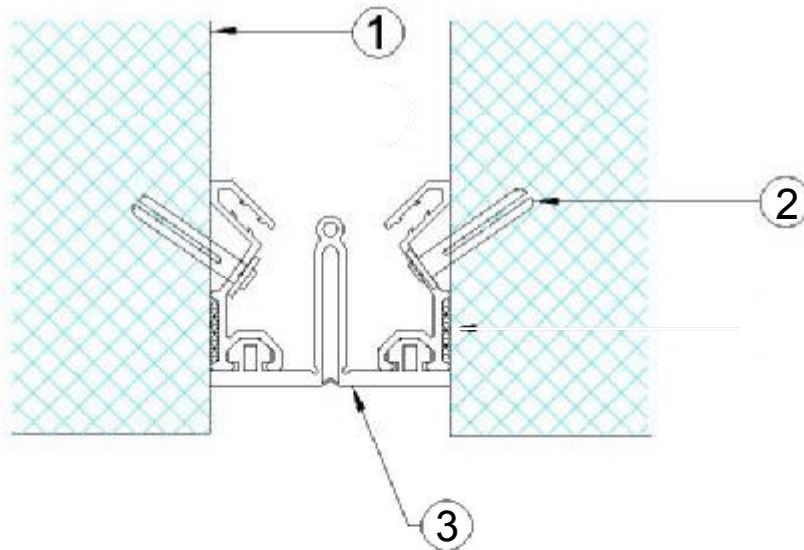
Install the interior "R" Series system in the joint using appropriate anchors in accordance with the system drawing. An appropriate mounting adhesive (by others) that is compatible with the substrate and the aluminum frame may be used in the place of the anchors. Such use of an adhesive requires approval by the Architect and be applied in accordance with the manufacturer's recommendations.

Install the interior "R" Series system as follows:

1. The mounting surfaces must be dry, dust free, and free of waxes and oils.
2. Position the extrusion in the expansion joint opening and fasten using the appropriate anchor for the substrate.

The "R" Series Face Seals are installed using an all purpose 100% silicone and is provided in approximately 10 oz (300 ml) tubes. Sufficient silicone sealant is provided for (2) 1/8" diameter beads to seal the Face Seal ears into the aluminum extrusions. Additional silicone sealant can be purchased from Architectural Art.

3. Apply a 1/8" bead of silicone sealant to the aluminum Face Seal ear channel and install the Face Seal. Position the seal ears and push into the frame channels. Make sure the ears are locked into position. To avoid gaps at the ends and at intersections, DO NOT stretch the seal lengthwise during installation.



ARCHITECTURAL ART MFG.
6409 Rhode Island Ave. Riverdale, MD 20737



INSTALLATION INSTRUCTIONS

Each installation may have unique situations that cannot be covered by the following guidelines. Please call 1-800-835-0028 if you have questions.

R02

REV 03/11

EXTERIOR APPLICATION

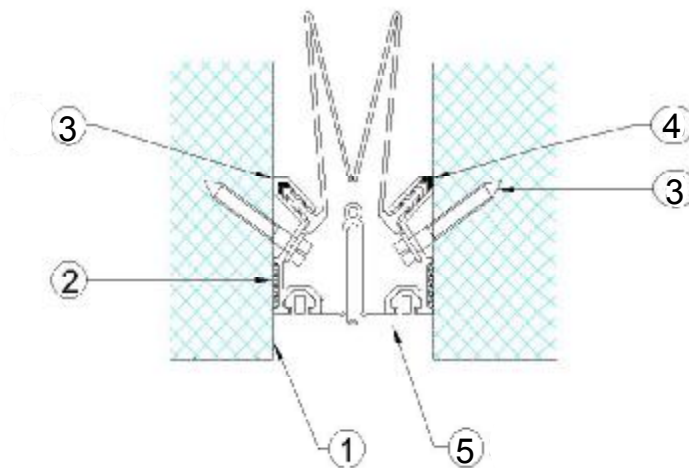
Install the exterior "R" Series system in the joint using appropriate anchors in accordance with the system drawing. For exterior applications silicone sealant (by others) is required to seal the "R" Series aluminum frames at the wall substrate. Two, 1/4" diameter beads should be sufficient to fully embed each frame on a flat concrete-like surface. Additional sealant may be required to embed the frames on an irregular or interrupted substrate. An appropriate mounting adhesive (by others) that is compatible with the substrate and the aluminum frame may be used in the place of the silicone sealant and the anchors. Such use of an adhesive requires approval by the Architect and be applied in accordance with the manufacturer's recommendations.

Install the exterior "R" Series system as follows:

1. The mounting surfaces must be dry, dust free, and free of waxes and oils.
2. Apply a 1/8" diameter bead of sealant (by others) to the aluminum extrusion frame at 2.
3. Position the extrusion in the expansion joint opening and fasten using the appropriate anchor for the substrate. Allow 1/4" spacing between frame ends for expansion and seal the joint.

The "R" Series Face and Back Seals are installed using an all purpose 100% silicone and is provided in approximately 10 oz (300 ml) tubes. Sufficient silicone sealant is provided for (4) 1/8" diameter beads to seal the Face and Back Seal ears into the aluminum extrusions. Additional silicone sealant can be purchased from Architectural Art.

4. Apply a 1/8" bead of silicone sealant to the aluminum Back Seal ear channel and install the Back Seal. Position the seal ears and push into the frame channels. Make sure the ears are locked into position. To avoid gaps at the ends and at intersections, DO NOT stretch the seal lengthwise during installation.
5. Apply a 1/8" bead of silicone sealant to the aluminum Face Seal ear channel and install the Face Seal. Position the seal ears and push into the frame channels. Make sure the ears are locked into position. To avoid gaps at the ends and at intersections, DO NOT stretch the seal lengthwise during installation.



ARCHITECTURAL ART MFG.
6409 Rhode Island Ave. Riverdale, MD 20737



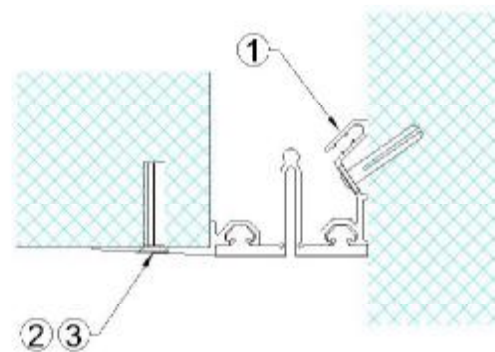
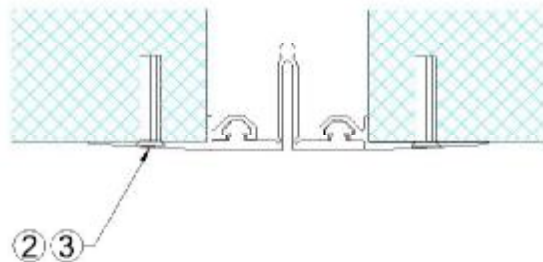
INSTALLATION INSTRUCTIONS

Each installation may have unique situations that cannot be covered by the following guidelines. Please call 1-800-835-0028 if you have questions.

R07

REV 10/06

- Step 1: Position the assembly, drill $3/16$ " hole to minimum depth of 1" into wall. Push nylon anchor through hole into wall and drive tight.
- Step 2: Position the assembly, drill for #8 F.H.U.P. and mark plastic plug locations. Remove assembly, drill and install plastic plugs.
- Step 3: Position the assembly per plastic plug locations. Install #8 F.H.U.P. in plastic plugs.



ARCHITECTURAL ART MFG.
6409 Rhode Island Ave. Riverdale, MD 20737

