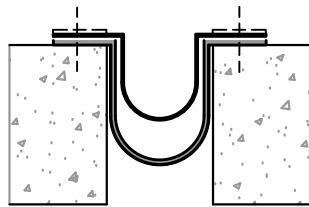


**Architectural Art Mfg.**  
 Division of Pittcon Architectural Metals, LLC.

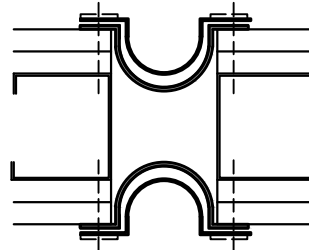
**P30 Series FIRE BARRIER  
 INSTALLATION INSTRUCTIONS**

**Introduction**

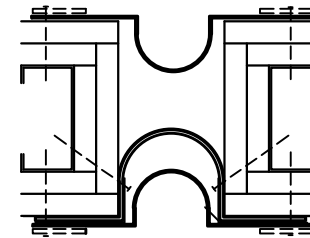
2 Hour fire barrier for floor and wall applications. See attached instructions for proper installation and splice techniques.



**P30-11-02 TOP  
 MOUNT FLOOR**



**P30-51-02 DUAL  
 SIDE WALL**



**P30-54-02 SINGLE  
 SIDE WALL**



**Architectural Art  
 MANUFACTURING**

Division of Pittcon Architectural Metals, LLC  
 283 SWANSON DRIVE, STE 103  
 LAWRENCEVILLE, GA 30043  
 PH: (678) 680-7373 FAX: (678) 735-0085  
 TOLL FREE: (800) 835-0028 web: [www.archart.com](http://www.archart.com)

**RIGHTS OF DESIGN**

All rights of design, detail, engineering and/or invention contained herein are the property of Architectural Art Mfg. and are not to be reproduced or provided to any other party. Architectural Art Mfg. reserves the right to amend or withdraw any information contained herein without notice and will not be liable for any inaccuracy or ambiguity of said information.

**P30 FIRE BARRIER INSTRUCTIONS  
 2 HOUR FLOOR AND WALL**

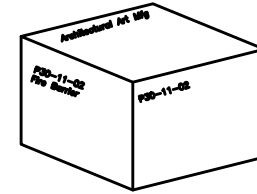
DRAWN BY: DOC	SCALE: NTS	DRAWING NO.:
SHT. 1 OF 1	ISSUE DATE: 01/07/11	<b>DTL-01</b>

**Architectural Art Mfg.**  
Division of Pittcon Architectural Metals, LLC.

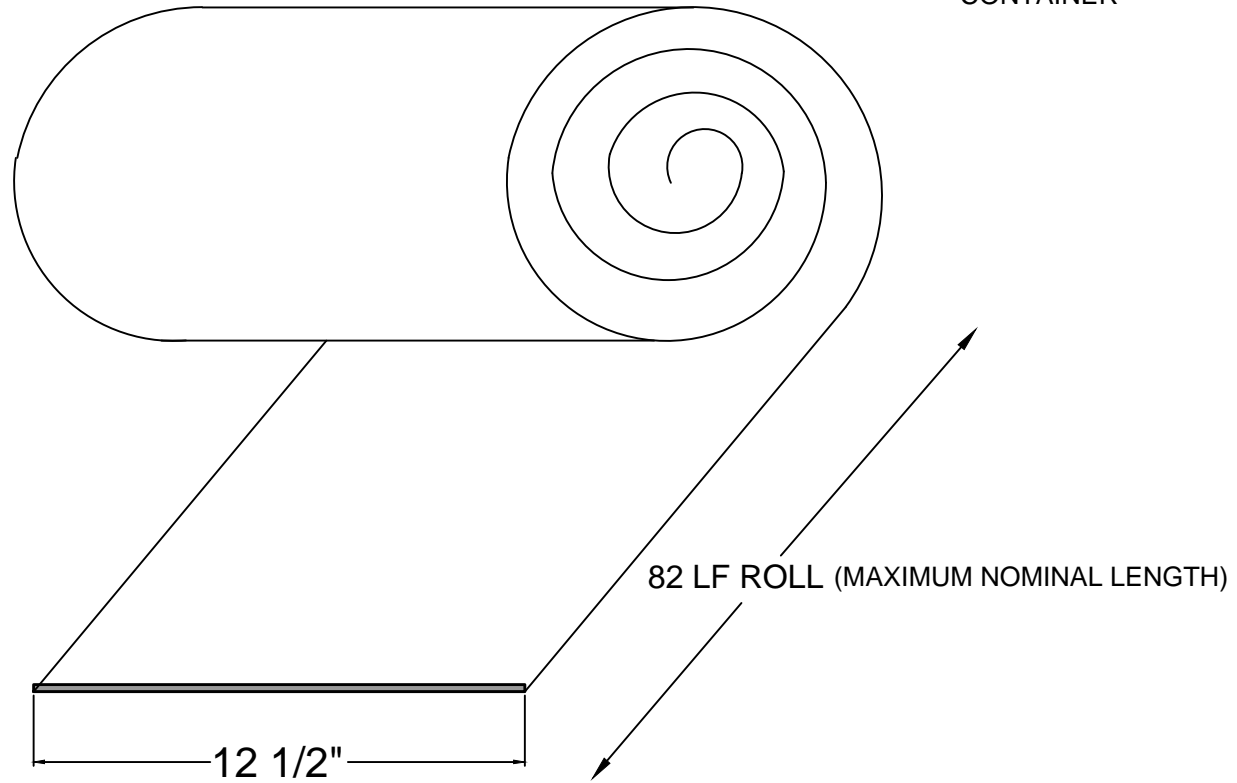
**P30-11-02 FIRE BARRIER  
FLOOR INSTALLATION INSTRUCTION**

**STEP 1**

Remove P30-11-02 FIRE BARRIER from container and unroll along the side of the expansion joint opening with the woven fabric side down.



CONTAINER



**Architectural Art  
MANUFACTURING**

Division of Pittcon Architectural Metals, LLC  
283 SWANSON DRIVE, STE 103  
LAWRENCEVILLE, GA 30043  
PH: (678) 680-7373 FAX: (678) 735-0085  
TOLL FREE: (800) 835-0028 web: [www.archart.com](http://www.archart.com)

**RIGHTS OF DESIGN**

All rights of design, detail, engineering and/or invention contained herein are the property of Architectural Art Mfg. and are not to be reproduced or provided to any other party. Architectural Art Mfg. reserves the right to amend or withdraw any information contained herein without notice and will not be liable for any inaccuracy or ambiguity of said information.

**P30-11-02  
2 HOUR FLOOR FIRE BARRIER**

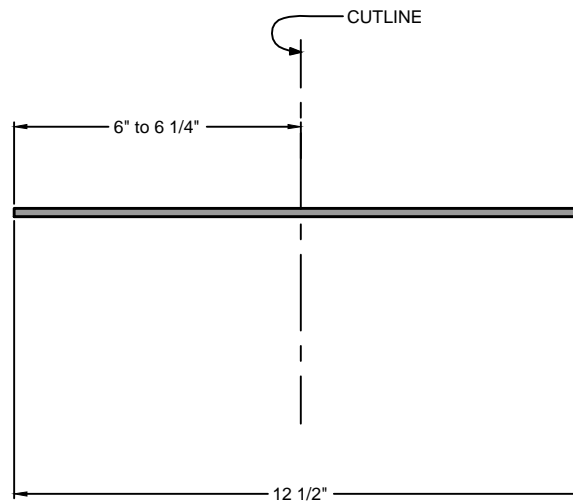
DRAWN BY: DOC	SCALE: NTS	DRAWING NO.:
SHT. 1 OF 5	ISSUE DATE: 01/07/11	<b>DTL-01</b>

**Architectural Art Mfg.**  
Division of Pittcon Architectural Metals, LLC.

**P30-11-02 FIRE BARRIER  
FLOOR INSTALLATION INSTRUCTION**

**STEP 2**

Cut EPDM MEMBRANE lengthwise into two strips 6" wide minimum.



**Architectural Art  
MANUFACTURING**

Division of Pittcon Architectural Metals, LLC  
283 SWANSON DRIVE, STE 103  
LAWRENCEVILLE, GA 30043  
PH: (678) 680-7373 FAX: (678) 735-0085  
TOLL FREE: (800) 835-0028 web: [www.archart.com](http://www.archart.com)

**RIGHTS OF DESIGN**

All rights of design, detail, engineering and/or invention contained herein are the property of Architectural Art Mfg. and are not to be reproduced or provided to any other party. Architectural Art Mfg. reserves the right to amend or withdraw any information contained herein without notice and will not be liable for any inaccuracy or ambiguity of said information.

**P30-11-02  
2 HOUR FLOOR FIRE BARRIER**

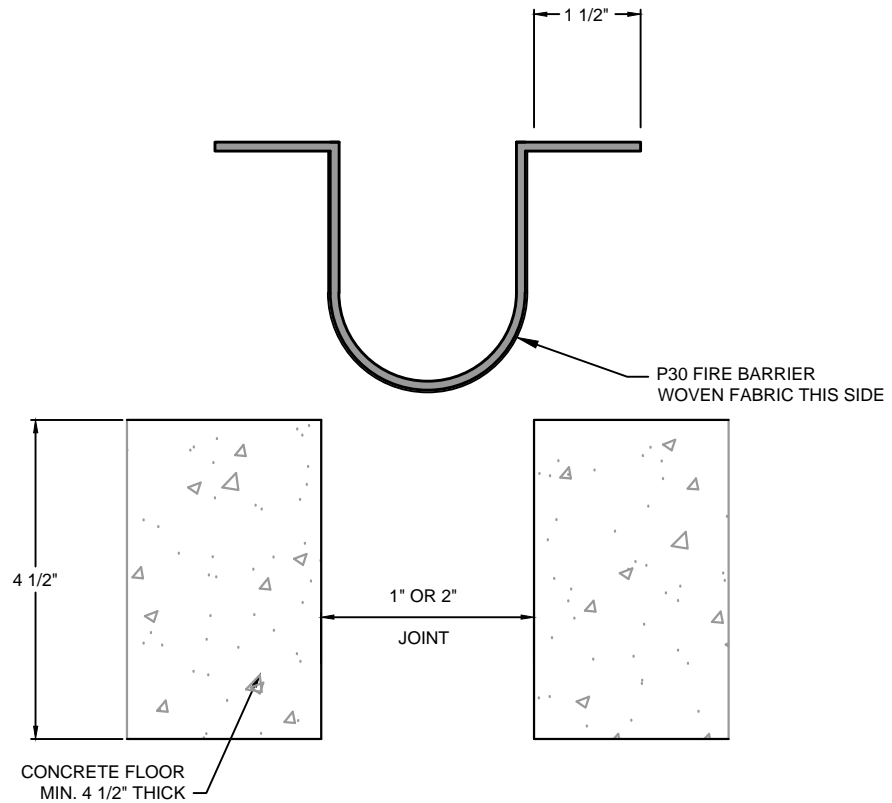
DRAWN BY: DOC	SCALE: NTS	DRAWING NO.:
SHT. 2 OF 5	ISSUE DATE: 01/07/11	<b>DTL-02</b>

**Architectural Art Mfg.**  
 Division of Pittcon Architectural Metals, LLC.

**P30-11-02 FIRE BARRIER  
 FLOOR INSTALLATION INSTRUCTION**

**STEP 3**

Fold P30 FIRE BARRIER in half without creasing the center. Allow 1 1/2" overlap at joint edges.



**Architectural Art  
 MANUFACTURING**

Division of Pittcon Architectural Metals, LLC  
 283 SWANSON DRIVE, STE 103  
 LAWRENCEVILLE, GA 30043  
 PH: (678) 680-7373 FAX: (678) 735-0085  
 TOLL FREE: (800) 835-0028 web: www.archart.com

**RIGHTS OF DESIGN**

All rights of design, detail, engineering and/or invention contained herein are the property of Architectural Art Mfg. and are not to be reproduced or provided to any other party. Architectural Art Mfg. reserves the right to amend or withdraw any information contained herein without notice and will not be liable for any inaccuracy or ambiguity of said information.

**P30-11-02  
 2 HOUR FLOOR FIRE BARRIER**

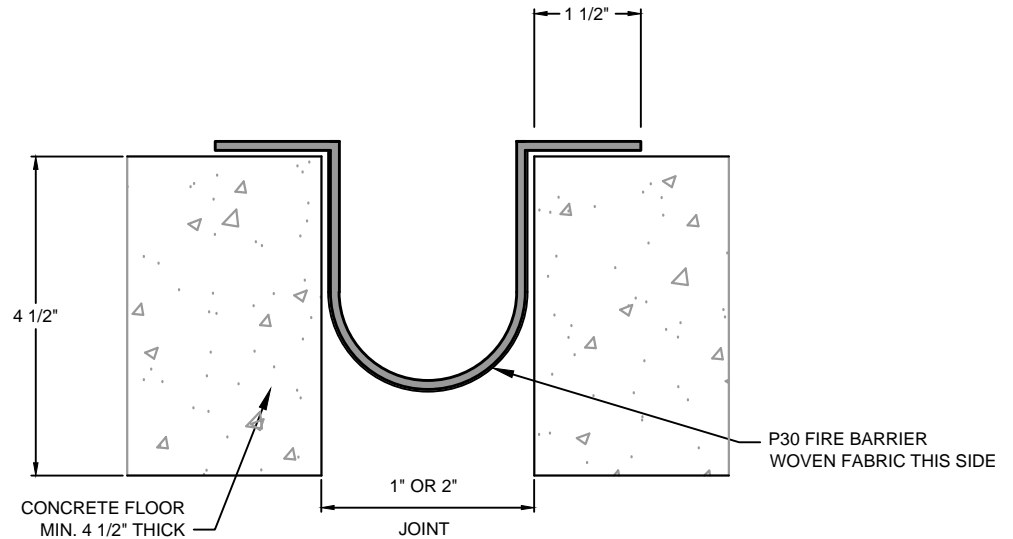
DRAWN BY: DOC	SCALE: NTS	DRAWING NO.:
SHT. 3 OF 5	ISSUE DATE: 01/07/11	<b>DTL-03</b>

**Architectural Art Mfg.**  
 Division of Pittcon Architectural Metals, LLC.

**P30-11-02 FIRE BARRIER  
 FLOOR INSTALLATION INSTRUCTION**

**STEP 4**

Insert P30 FIRE BARRIER into the joint opening, woven fabric side down. Leave 1 1/2" overlap on the surface of the concrete.



**Architectural Art  
 MANUFACTURING**

Division of Pittcon Architectural Metals, LLC  
 283 SWANSON DRIVE, STE 103  
 LAWRENCEVILLE, GA 30043  
 PH: (678) 680-7373 FAX: (678) 735-0085  
 TOLL FREE: (800) 835-0028 web: www.archart.com

**RIGHTS OF DESIGN**

All rights of design, detail, engineering and/or invention contained herein are the property of Architectural Art Mfg. and are not to be reproduced or provided to any other party. Architectural Art Mfg. reserves the right to amend or withdraw any information contained herein without notice and will not be liable for any inaccuracy or ambiguity of said information.

**P30-11-02  
 2 HOUR FLOOR FIRE BARRIER**

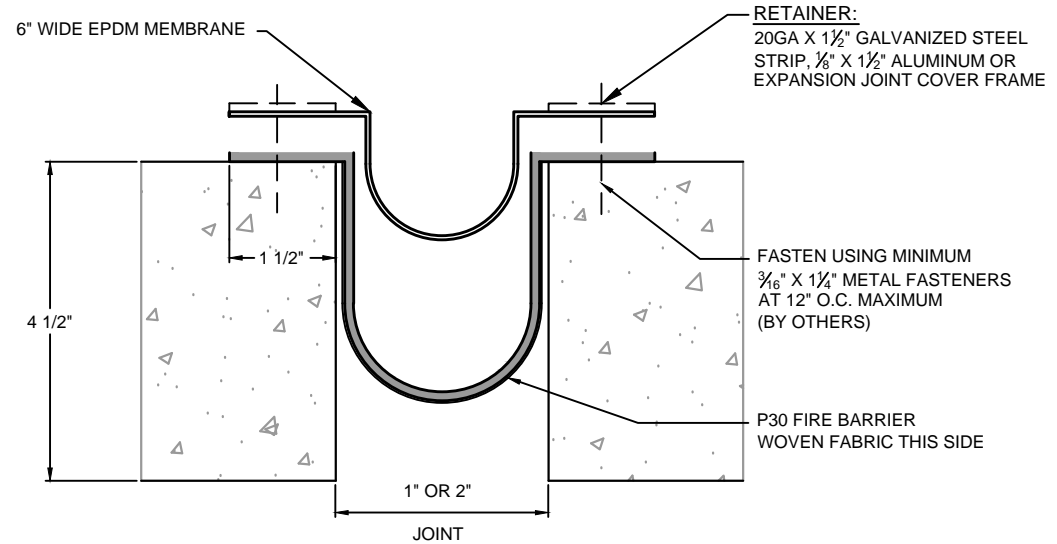
DRAWN BY: DOC	SCALE: NTS	DRAWING NO.:
SHT. 4 OF 5	ISSUE DATE: 01/07/11	<b>DTL-04</b>

**Architectural Art Mfg.**  
 Division of Pittcon Architectural Metals, LLC.

**P30-11-02 FIRE BARRIER  
 FLOOR INSTALLATION INSTRUCTION**

**STEP 5**

Add 6" wide EPDM to the surface of the P30 FIRE BARRIER and secure with 1/8" X 1 1/2" aluminum bar, 1 1/2" X 20ga galvanized steel strip, or extruded expansion joint cover frame.



**Architectural Art  
 MANUFACTURING**

Division of Pittcon Architectural Metals, LLC  
 283 SWANSON DRIVE, STE 103  
 LAWRENCEVILLE, GA 30043  
 PH: (678) 680-7373 FAX: (678) 735-0085  
 TOLL FREE: (800) 835-0028 web: www.archart.com

**RIGHTS OF DESIGN**

All rights of design, detail, engineering and/or invention contained herein are the property of Architectural Art Mfg. and are not to be reproduced or provided to any other party. Architectural Art Mfg. reserves the right to amend or withdraw any information contained herein without notice and will not be liable for any inaccuracy or ambiguity of said information.

**P30-11-02  
 2 HOUR FLOOR FIRE BARRIER**

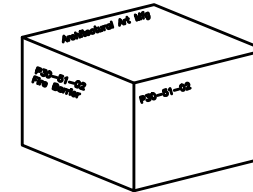
DRAWN BY: DOC	SCALE: NTS	DRAWING NO.:
SHT. 5 OF 5	ISSUE DATE: 01/07/11	<b>DTL-05</b>

**Architectural Art Mfg.**  
 Division of Pittcon Architectural Metals, LLC.

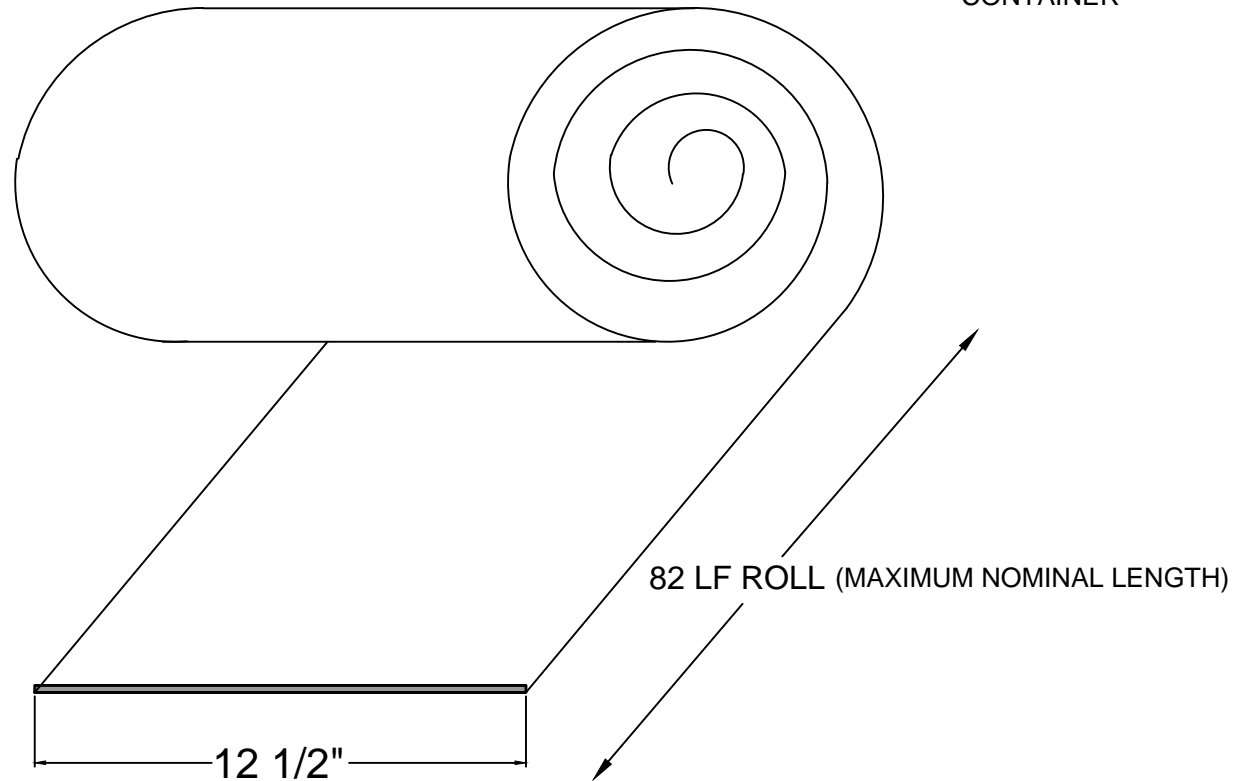
**P30-51-02 FIRE BARRIER  
 WALL INSTALLATION INSTRUCTION  
 DUAL SIDE INSTALLATION**

**STEP 1**

Remove P30-51-02 FIRE BARRIER from container and cut it to length required. Consider all the material needed to make all intersections and transitions per run.



CONTAINER



**Architectural Art  
 MANUFACTURING**

Division of Pittcon Architectural Metals, LLC  
 283 SWANSON DRIVE, STE 103  
 LAWRENCEVILLE, GA 30043  
 PH: (678) 680-7373 FAX: (678) 735-0085  
 TOLL FREE: (800) 835-0028 web: www.archart.com

**RIGHTS OF DESIGN**

All rights of design, detail, engineering and/or invention contained herein are the property of Architectural Art Mfg. and are not to be reproduced or provided to any other party. Architectural Art Mfg. reserves the right to amend or withdraw any information contained herein without notice and will not be liable for any inaccuracy or ambiguity of said information.

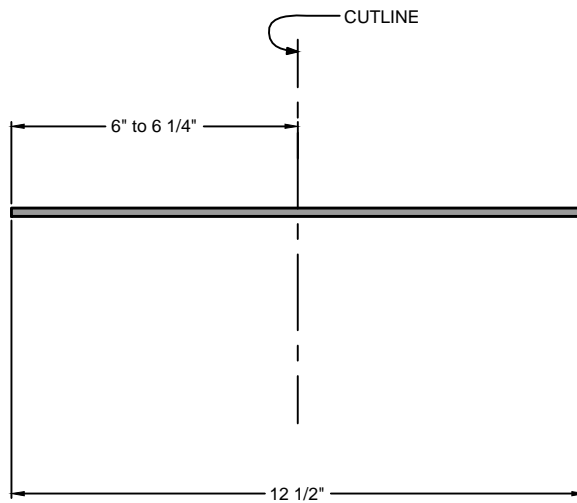
**P30-51-02  
 2 HOUR WALL FIRE BARRIER**

DRAWN BY: DOC	SCALE: NTS	DRAWING NO.:
SHT. 1 OF 4	ISSUE DATE: 01/07/11	<b>DTL-01</b>

**Architectural Art Mfg.**  
 Division of Pittcon Architectural Metals, LLC.

**STEP 2A**

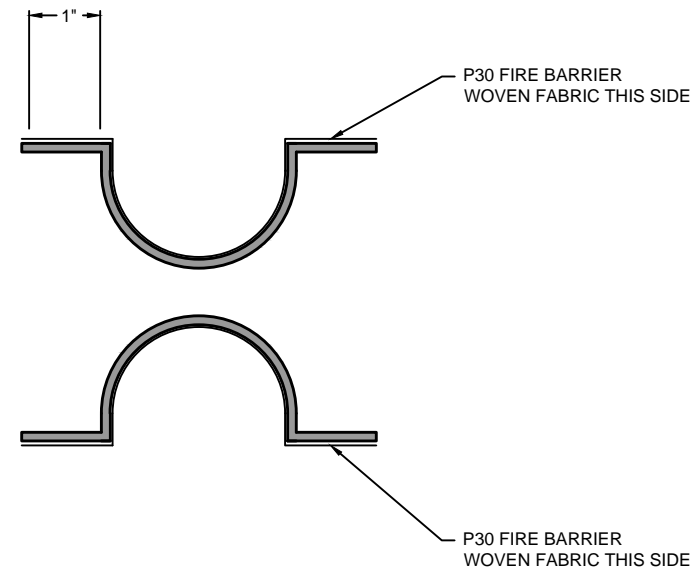
Cut EPDM MEMBRANE lengthwise into two strips 6" wide minimum.



**P30-51-02 FIRE BARRIER  
 WALL INSTALLATION INSTRUCTION  
 DUAL SIDE INSTALLATION**

**STEP 2B**

Cut P30 FIRE BARRIER lengthwise into two strips 6" wide minimum.



**Architectural Art  
 MANUFACTURING**

Division of Pittcon Architectural Metals, LLC  
 283 SWANSON DRIVE, STE 103  
 LAWRENCEVILLE, GA 30043  
 PH: (678) 680-7373 FAX: (678) 735-0085  
 TOLL FREE: (800) 835-0028 web: www.archart.com

**RIGHTS OF DESIGN**

All rights of design, detail, engineering and/or invention contained herein are the property of Architectural Art Mfg. and are not to be reproduced or provided to any other party. Architectural Art Mfg. reserves the right to amend or withdraw any information contained herein without notice and will not be liable for any inaccuracy or ambiguity of said information.

**P30-51-02  
 2 HOUR WALL FIRE BARRIER**

DRAWN BY: DOC	SCALE: NTS	DRAWING NO.:
SHT. 2 OF 4	ISSUE DATE: 01/07/11	<b>DTL-02</b>















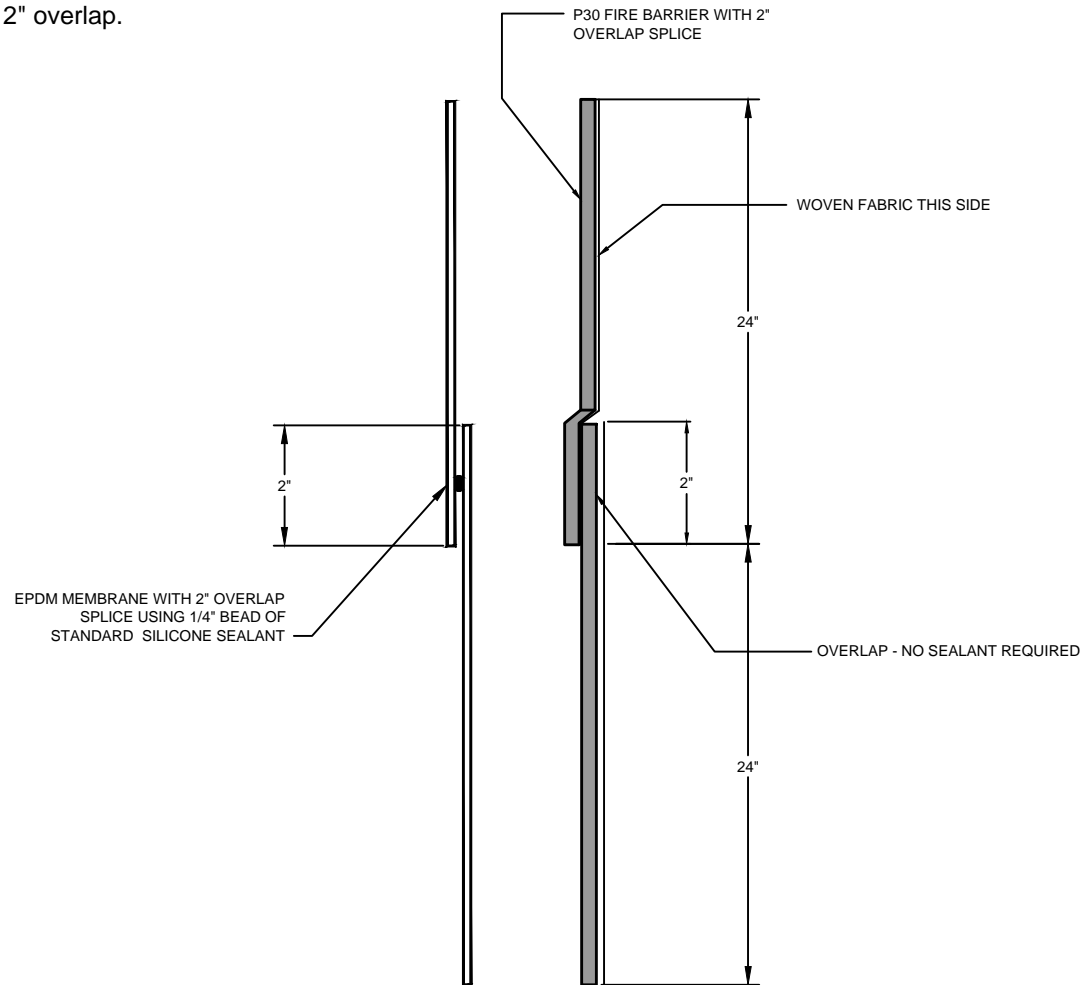


**Architectural Art Mfg.**  
 Division of Pittcon Architectural Metals, LLC.

**P30 FIRE BARRIER  
 SPLICE INSTALLATION INSTRUCTION**

**STEP 1**

Splice P30 FIRE BARRIER and EPDM 2" overlap.



**Architectural Art  
 MANUFACTURING**

Division of Pittcon Architectural Metals, LLC  
 283 SWANSON DRIVE, STE 103  
 LAWRENCEVILLE, GA 30043  
 PH: (678) 680-7373 FAX: (678) 735-0085  
 TOLL FREE: (800) 835-0028 web: www.archart.com

**RIGHTS OF DESIGN**

All rights of design, detail, engineering and/or invention contained herein are the property of Architectural Art Mfg. and are not to be reproduced or provided to any other party. Architectural Art Mfg. reserves the right to amend or withdraw any information contained herein without notice and will not be liable for any inaccuracy or ambiguity of said information.

**P30 SPLICE INSTRUCTION  
 2 HOUR FLOOR AND WALL**

DRAWN BY: DOC	SCALE: NTS	DRAWING NO.:
SHT. 1 OF 1	ISSUE DATE: 01/07/11	<b>DTL-01</b>

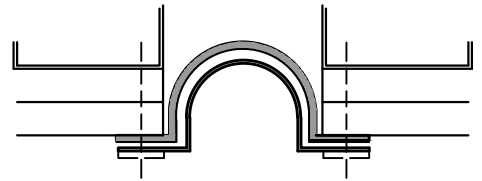
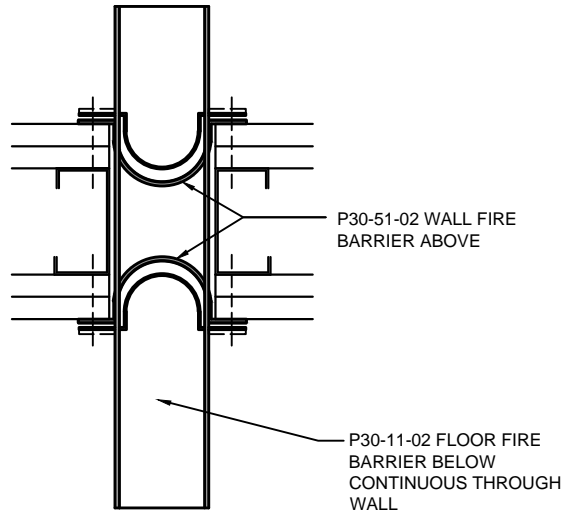


**Architectural Art Mfg.**  
 Division of Pittcon Architectural Metals, LLC.

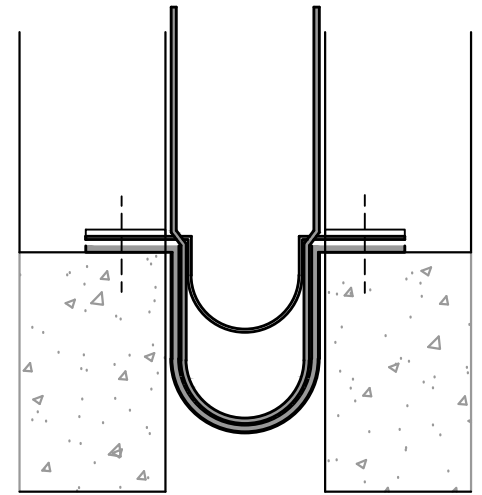
**P30 Series FIRE BARRIER  
 TRANSITION INSTRUCTIONS  
 P30-51-02 TO P30-11-02**

**Transitions**

It is common to encounter conditions where wall and floor fire barriers meet. Transition the wall into the floor fire barrier whenever possible by extending the floor fire barrier beyond the depth of the wall fire barrier where it is recessed into the wall expansion joint cavity. No fire sealant required.

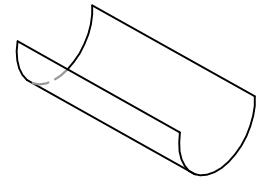
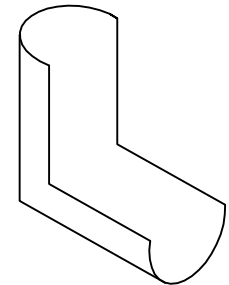


**P30-51-02 WALL CONDITION**



**P30-11-02 FLOOR CONDITION**

WALL FIRE BARRIER ABOVE



FLOOR FIRE BARRIER BELOW  
 (FLANGES NOT SHOWN)

**REPEAT ON BOT  
 SIDES OF THE WALL  
 VIEW FROM ABOVE**

**WALL TO FLOOR BELOW TRANSITION**



**Architectural Art  
 MANUFACTURING**

Division of Pittcon Architectural Metals, LLC  
 283 SWANSON DRIVE, STE 103  
 LAWRENCEVILLE, GA 30043  
 PH: (678) 680-7373 FAX: (678) 735-0085  
 TOLL FREE: (800) 835-0028 web: www.archart.com

**RIGHTS OF DESIGN**

All rights of design, detail, engineering and/or invention contained herein are the property of Architectural Art Mfg. and are not to be reproduced or provided to any other party. Architectural Art Mfg. reserves the right to amend or withdraw any information contained herein without notice and will not be liable for any inaccuracy or ambiguity of said information.

**P30-51-02 WALL TRANSITION  
 INTO P30-11-02 FLOOR BELOW**

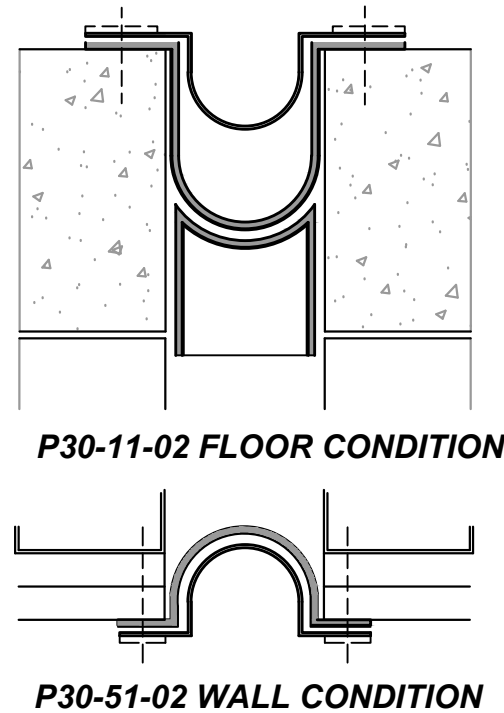
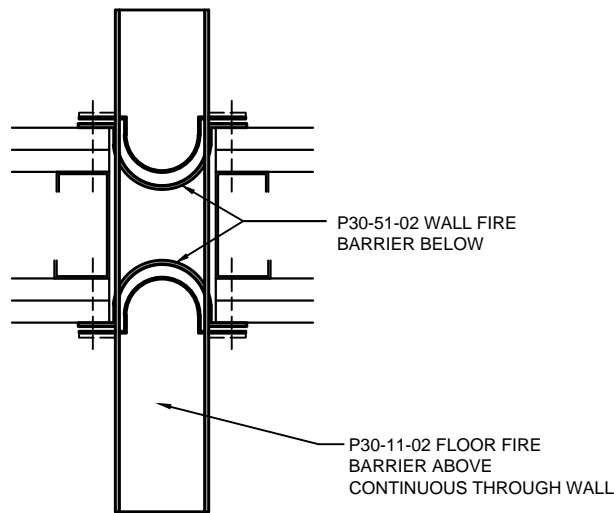
DRAWN BY: DOC	SCALE: NTS	DRAWING NO.:
SHT. 1 OF 4	ISSUE DATE: 01/07/11	<b>DTL-01</b>

**Architectural Art Mfg.**  
 Division of Pittcon Architectural Metals, LLC.

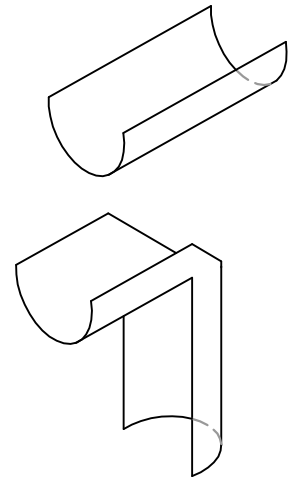
**P30 Series FIRE BARRIER  
 TRANSITION INSTRUCTIONS  
 P30-51-02 TO P30-11-02**

**Transitions**

It is common to encounter conditions where wall and floor fire barriers meet. Transition the wall into the floor fire barrier whenever possible by extending the floor fire barrier beyond the depth of the wall fire barrier where it is recessed into the wall expansion joint cavity. No fire sealant required.



FLOOR FIRE BARRIER ABOVE



WALL FIRE BARRIER BELOW  
 (FLANGES NOT SHOWN)

**REPEAT ON BOTH  
 SIDES OF THE WALL  
 VIEW FROM BELOW**

**WALL TO FLOOR ABOVE TRANSITION**



**Architectural Art  
 MANUFACTURING**

Division of Pittcon Architectural Metals, LLC  
 283 SWANSON DRIVE, STE 103  
 LAWRENCEVILLE, GA 30043  
 PH: (678) 680-7373 FAX: (678) 735-0085  
 TOLL FREE: (800) 835-0028 web: www.archart.com

**RIGHTS OF DESIGN**

All rights of design, detail, engineering and/or invention contained herein are the property of Architectural Art Mfg. and are not to be reproduced or provided to any other party. Architectural Art Mfg. reserves the right to amend or withdraw any information contained herein without notice and will not be liable for any inaccuracy or ambiguity of said information.

**P30-51-02 WALL TRANSITION  
 INTO P30-11-02 FLOOR ABOVE**

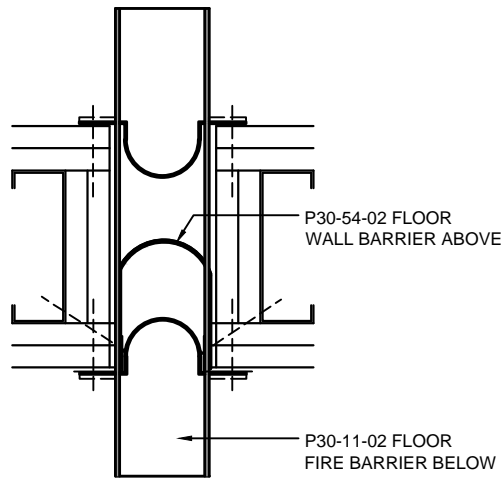
DRAWN BY: DOC	SCALE: NTS	DRAWING NO.:
SHT. 2 OF 4	ISSUE DATE: 01/07/11	<b>DTL-02</b>

**Architectural Art Mfg.**  
 Division of Pittcon Architectural Metals, LLC.

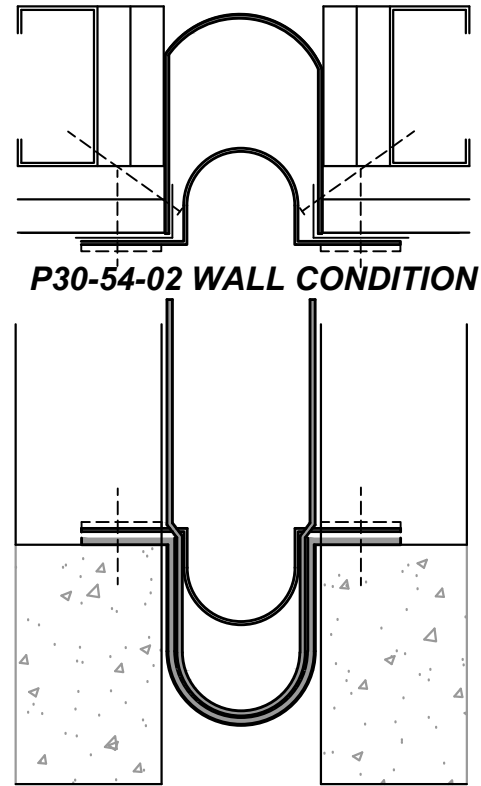
**P30 Series FIRE BARRIER  
 TRANSITION INSTRUCTIONS  
 P30-54-02 TO P30-11-02**

**Transitions**

It is common to encounter conditions where wall and floor fire barriers meet. Transition the wall into the floor fire barrier whenever possible by extending the floor fire barrier beyond the depth of the wall fire barrier where it is recessed into the wall expansion joint cavity. No fire sealant required.

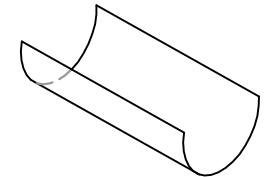
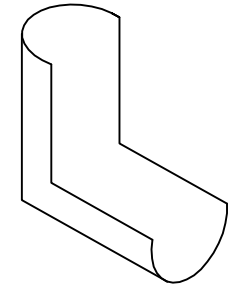


**FLOOR EXTENDS  
 BEYOND WALL  
 VIEW FROM ABOVE**



**P30-11-02 FLOOR CONDITION**

WALL FIRE BARRIER ABOVE



FLOOR FIRE BARRIER BELOW  
 (FLANGES NOT SHOWN)

**WALL TO FLOOR BELOW TRANSITION**



**Architectural Art  
 MANUFACTURING**

Division of Pittcon Architectural Metals, LLC  
 283 SWANSON DRIVE, STE 103  
 LAWRENCEVILLE, GA 30043  
 PH: (678) 680-7373 FAX: (678) 735-0085  
 TOLL FREE: (800) 835-0028 web: www.archart.com

**RIGHTS OF DESIGN**

All rights of design, detail, engineering and/or invention contained herein are the property of Architectural Art Mfg. and are not to be reproduced or provided to any other party. Architectural Art Mfg. reserves the right to amend or withdraw any information contained herein without notice and will not be liable for any inaccuracy or ambiguity of said information.

**P30-54-02 WALL TRANSITION  
 INTO P30-11-02 FLOOR BELOW**

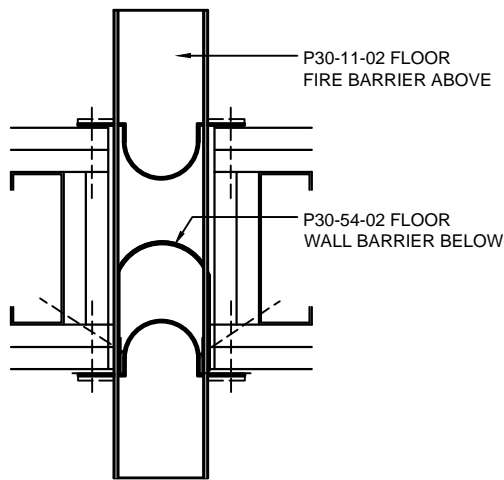
DRAWN BY: DOC	SCALE: NTS	DRAWING NO.:
SHT. 3 OF 4	ISSUE DATE: 01/07/11	<b>DTL-03</b>

**Architectural Art Mfg.**  
 Division of Pittcon Architectural Metals, LLC.

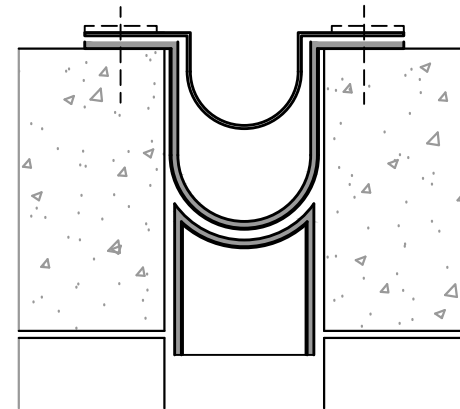
**P30 Series FIRE BARRIER  
 TRANSITION INSTRUCTIONS  
 P30-54-02 TO P30-11-02**

**Transitions**

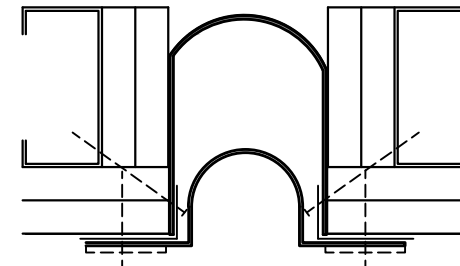
It is common to encounter conditions where wall and floor fire barriers meet. Transition the wall into the floor fire barrier whenever possible by extending the floor fire barrier beyond the depth of the wall fire barrier where it is recessed into the wall expansion joint cavity.



**FLOOR EXTENDS  
 BEYOND WALL  
 VIEW FROM BELOW**

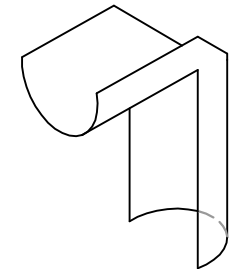
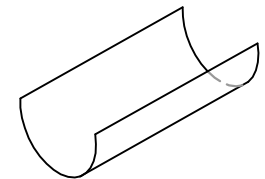


**P30-11-02 FLOOR CONDITION**



**P30-54-02 WALL CONDITION**

FLOOR FIRE BARRIER ABOVE



WALL FIRE BARRIER BELOW  
 (FLANGES NOT SHOWN)

**WALL TO FLOOR ABOVE TRANSITION**



**Architectural Art  
 MANUFACTURING**

Division of Pittcon Architectural Metals, LLC  
 283 SWANSON DRIVE, STE 103  
 LAWRENCEVILLE, GA 30043  
 PH: (678) 680-7373 FAX: (678) 735-0085  
 TOLL FREE: (800) 835-0028 web: www.archart.com

**RIGHTS OF DESIGN**

All rights of design, detail, engineering and/or invention contained herein are the property of Architectural Art Mfg. and are not to be reproduced or provided to any other party. Architectural Art Mfg. reserves the right to amend or withdraw any information contained herein without notice and will not be liable for any inaccuracy or ambiguity of said information.

**P30-54-02 WALL TRANSITION  
 INTO P30-11-02 FLOOR ABOVE**

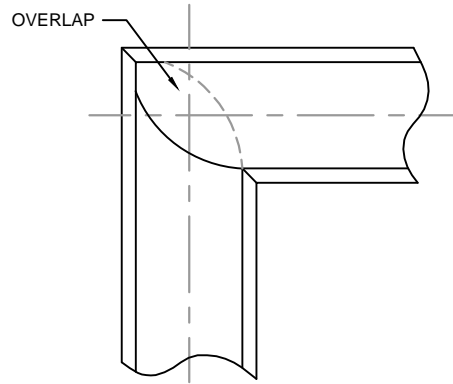
DRAWN BY: DOC	SCALE: NTS	DRAWING NO.:
SHT. 4 OF 4	ISSUE DATE: 01/07/11	<b>DTL-04</b>

**Architectural Art Mfg.**  
 Division of Pittcon Architectural Metals, LLC.

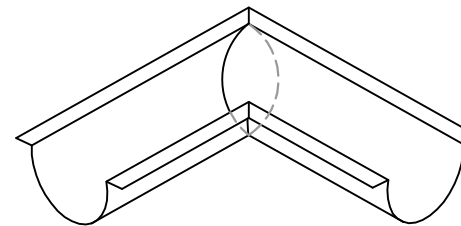
**P30 Series FIRE BARRIER  
 TRANSITION INSTRUCTIONS  
 0 CORNER TRANSITION**

**Transitions**

NOTE: EPDM MEMBRANE is transitioned using the same technique.  
 Details show orientation for installing in floor applications. if application is in a ceiling, invert views 180 degrees.



**PLAN □IEW**



**ISOMETRIC □IEW**



**ELEVATION**



**Architectural Art  
 MANUFACTURING**

Division of Pittcon Architectural Metals, LLC  
 283 SWANSON DRIVE, STE 103  
 LAWRENCEVILLE, GA 30043  
 PH: (678) 680-7373 FAX: (678) 735-0085  
 TOLL FREE: (800) 835-0028 web: www.archart.com

**RIGHTS OF DESIGN**

All rights of design, detail, engineering and/or invention contained herein are the property of Architectural Art Mfg. and are not to be reproduced or provided to any other party. Architectural Art Mfg. reserves the right to amend or withdraw any information contained herein without notice and will not be liable for any inaccuracy or ambiguity of said information.

**P30-11-02 FLOOR FIRE BARRIER  
 90° CORNER TRANSITION**

DRAWN BY: DOC	SCALE: NTS	DRAWING NO.:
SHT. 1 OF 1	ISSUE DATE: 01/07/11	<b>DTL-01</b>