

INSTALLATION INSTRUCTIONS

Each installation may have unique situations that cannot be covered by the following guidelines. Please call 1-800-835-0028 if you have questions.

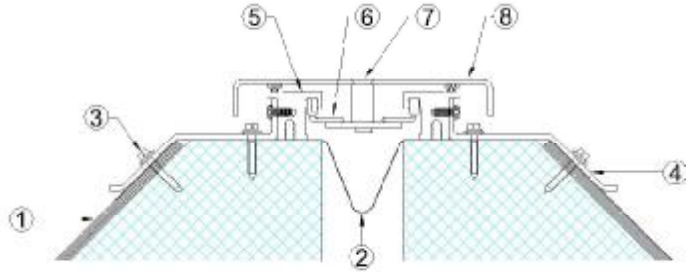
L01

REV 10/06

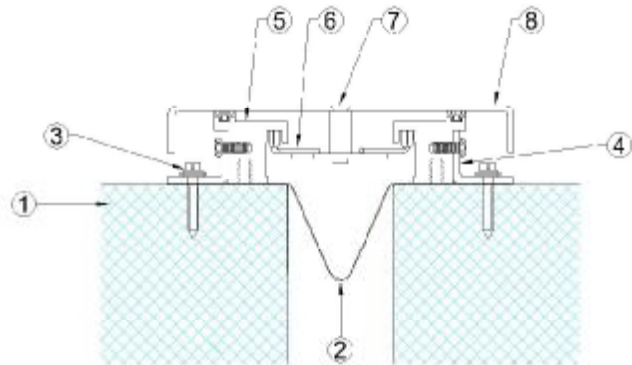
Step 1: Roofing material, curb, cant or exterior wall material by others.

Step 2: Temporarily attach vinyl vapor barrier, leaving sufficient vinyl between to form a "U" shape, to suit the expansion joint movement.

Step 3: The L101 assembly is furnished factory drilled at 1'-0" or 2'-0" on center and is to be used as a guide for drilling holes in the curb for the Rawl Tapcons. Locate the L101 assembly as per the technical detail. With the L101 assembly in place, drill pilot holes using a 5/32" dia. bit, a minimum of 1/4" deeper than the maximum embedment depth of the Rawl Tapcon. Install Rawl Tapcons with hex socket or Phillips bit. **NOTE: ALLOW 1/4" SPACE BETWEEN EACH L101 FOR THERMAL EXPANSION.**



Step 4: Attach splice covers if necessary over 1/4" space between each piece. Use Rawl Tapcons on only one side of the 1/4" space. On the high profile system, you will attach aluminum flashing over roofing material with 10-24 x 1/2" H.H. bolts at 1'-6" o.c.



Step 5: Locate the center cover to one side placing the holes in the cover over the L101 assembly with ends flush. With a marking pen, mark center spring location through the hole in the center cover onto the L101 assembly. Repeat for the other side. This will give you location marks on both side assemblies to line up the spring assemblies.

Step 6: With the center cover removed, position each spring assembly in the extruded spring track on the L101 assembly. Pull up to snap in the plastic spring assembly clips into the L101 spring track. **NOTE: THE SPRING ASSEMBLY WILL BE INSTALLED DIAGONALLY IN THE EXPANSION JOINT.** Then slide the spring assembly back and forth to align the center lug with the location marks from the previous step.



ARCHITECTURAL ART MFG.
6409 Rhode Island Ave. Riverdale, MD 20737



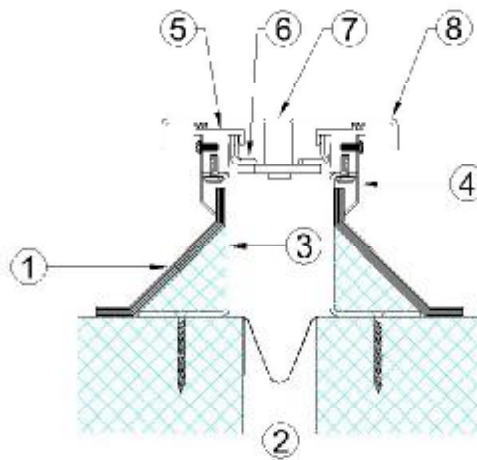
INSTALLATION INSTRUCTIONS

Each installation may have unique situations that cannot be covered by the following guidelines. Please call 1-800-835-0028 if you have questions.

L01

REV 10/06

- Step 7: Position the center cover and install the spring screw to attach the center cover to the spring assemblies. **NOTE: ALLOW 1/4" SPACE BETWEEN EACH PIECE FOR THERMAL EXPANSION.**
- Step 8: Attach splice covers, if necessary, over 1/4" space between each piece using sheet metal screws on only one side of the space.



ARCHITECTURAL ART MFG.
6409 Rhode Island Ave. Riverdale, MD 20737



INSTALLATION INSTRUCTIONS

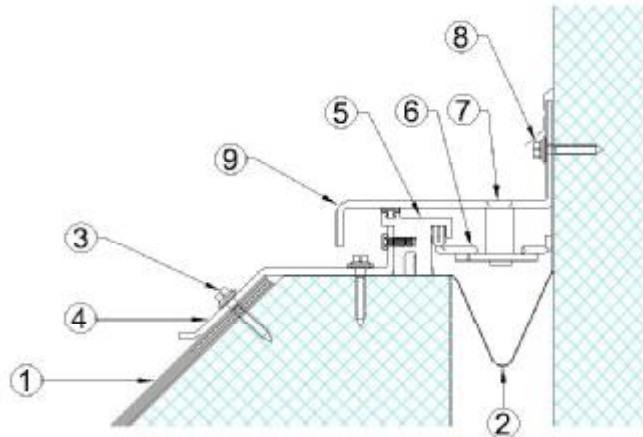
Each installation may have unique situations that cannot be covered by the following guidelines. Please call 1-800-835-0028 if you have questions.

L02

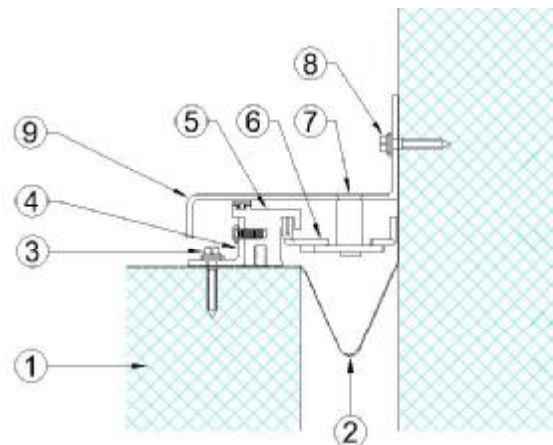
REV 10/06

- Step 1: Roofing material, curb, cant or exterior wall material by others.
- Step 2: Temporarily attach vinyl vapor barrier, leaving sufficient vinyl in void to form a "U" shape, to suit the expansion joint movement.

- Step 3: The L101 assembly is furnished factory drilled at 1'-0" o.c. or 2'-0" o.c. and is to be used as a guide for drilling holes in the curb for the Rawl Tapcons. Locate the L101 assembly as per the technical detail. With the L101 assembly in place, drill pilot holes using a 5/32" dia. bit, a minimum of 1/4" deeper than the maximum embedment depth of the Rawl Tapcon. Install Rawl Tapcons with hex socket or Phillips bit. **NOTE: ALLOW 1/4" SPACE BETWEEN LENGTHS OF THE L101 FOR THERMAL EXPANSION.**



- Step 4: Attach splice covers if necessary over 1/4" space between lengths. Use Rawl Tapcons on only one side of the 1/4" space. On high profile system, you will attach aluminum flashing over roofing material with 10-24 x 1/2" hex head bolts at 1'-6" o.c..



- Step 5: Locate the corner cover to one side placing the holes in the cover over the L101 spring assembly with ends flush. With a marking pen, mark center spring location through the holes in the center cover onto the L101 assembly. This will give you location marks on the side assembly to line up the spring assemblies. Steps 5 - 7 are only required on the assemblies that use the spring assembly.

- Step 6: With the corner cover removed, position each spring assembly in the extruded spring track on the L101 assembly. Pull up to snap in the plastic spring assembly clips into the L101 spring track. **NOTE: THE SPRING ASSEMBLY WILL BE INSTALLED DIAGONALLY IN THE EXPANSION JOINT.** Next, slide the spring assembly back and forth to align the center lug



ARCHITECTURAL ART MFG.

6409 Rhode Island Ave. Riverdale, MD 20737



INSTALLATION INSTRUCTIONS

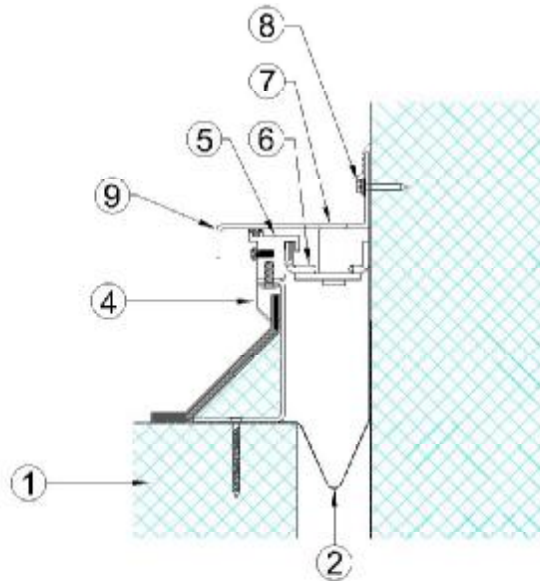
Each installation may have unique situations that cannot be covered by the following guidelines. Please call 1-800-835-0028 if you have questions.

L02

REV 10/06

with the location marks from the previous step. Tape the free end to the adjacent wall if necessary to hold the spring assembly in place.

- Step 7: Position the corner cover and install the spring screw to attach the corner cover to the spring assemblies. **NOTE: ALLOW 1/4" SPACE BETWEEN LENGTHS FOR THERMAL EXPANSION.**
- Step 8: Locate the wall side of the corner cover as per the technical detail. Drill pilot holes using a 5/32" dia. bit, a minimum of 1/4" deeper than the maximum embedment depth of the Rawl Tapcon. Install Rawl Tapcons with hex socket or Phillips bit. **NOTE: ALLOW 1/4" SPACE BETWEEN LENGTHS FOR THERMAL EXPANSION.**
- Step 9: Attach splice covers, if necessary, over 1/4" space between lengths using sheet metal screws on only one side of the space.



ARCHITECTURAL ART MFG.
6409 Rhode Island Ave. Riverdale, MD 20737



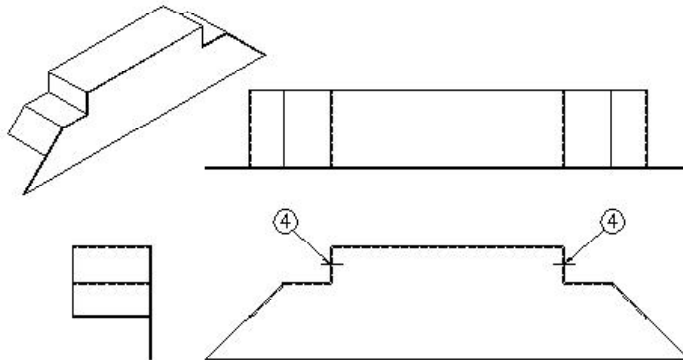
INSTALLATION INSTRUCTIONS

Each installation may have unique situations that cannot be covered by the following guidelines. Please call 1-800-835-0028 if you have questions.

L03

REV 10/06

- Step 1: Field cut the Series "L" assembly to form a 1/4" space at the intersection. Install the Series "L" assembly as per the standard installation instructions.
- Step 2: Attach side intersection cap over the 1/4" space at the intersection using Rawl Tapcons on both sides of the 1/4" space.
- Step 3: Attach top intersection cap over the 1/4" space at the intersection using sheet metal screws on both sides of the 1/4" space for the flat covers, and the Rawl Tapcons for the wall side of the corner covers.
- Step 4: Slide end cap over the Series "L" assembly. Only attach end cap to the top cover using sheet metal screws for the flat covers and the Rawl Tapcons for the wall side of the corner covers.



ARCHITECTURAL ART MFG.
6409 Rhode Island Ave. Riverdale, MD 20737

