

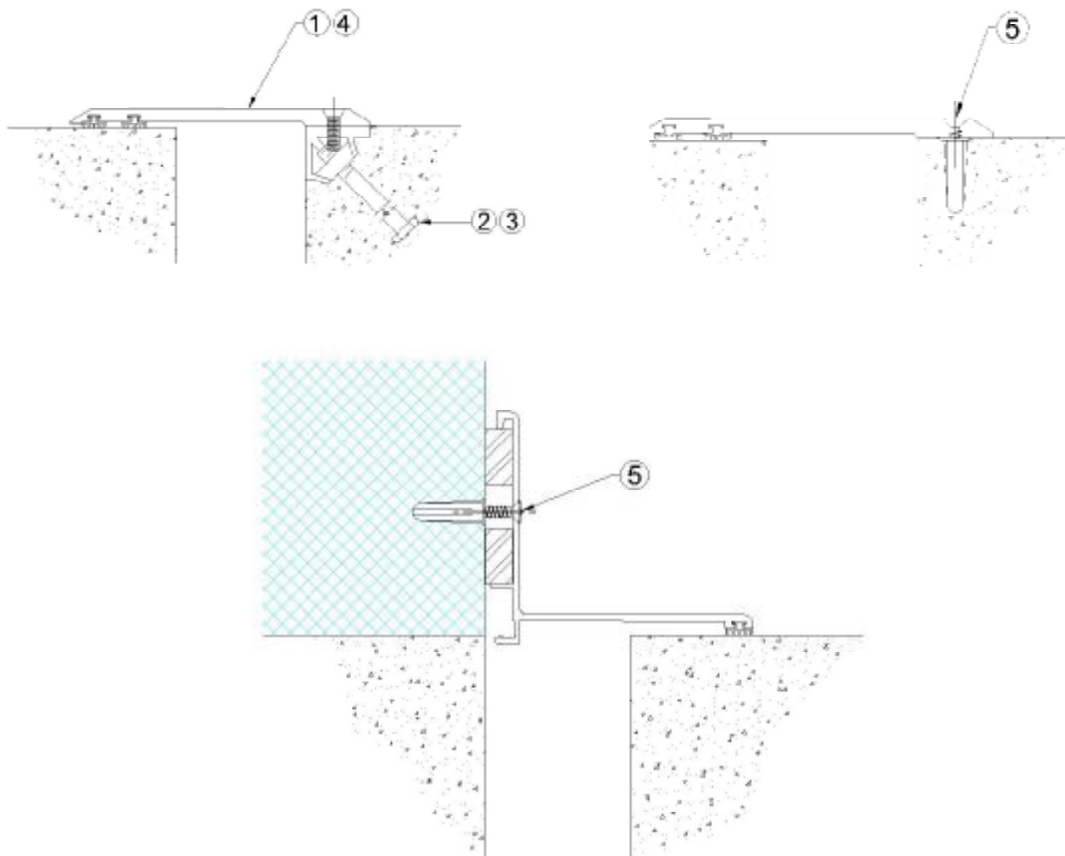
INSTALLATION INSTRUCTIONS

Each installation may have unique situations that cannot be covered by the following guidelines. Please call 1-800-835-0028 if you have questions.

K01

REV 10/06

- Step 1: Remove cover plate from embed extrusion and retain for reinstallation later. It must be installed in the same location that it is removed.
- Step 2: Add anchors (FE-82) to carrier and tighten snug at 1'-6" on center.
- Step 3: Cast embed extrusion in concrete. It is important that the embed is level and flush with concrete.
- Step 4: Reinstall cover plate after finished floor is complete on the opposite side of embed.
- Step 5: Position the saddle (floor) or K15/2034-11 (floor to wall) extrusions as dimensioned on technical detail and mark for plastic plug locations. Remove assembly, drill and install plastic plugs. Position the extrusions and install screws accordingly.



ARCHITECTURAL ART MFG.
6409 Rhode Island Ave. Riverdale, MD 20737



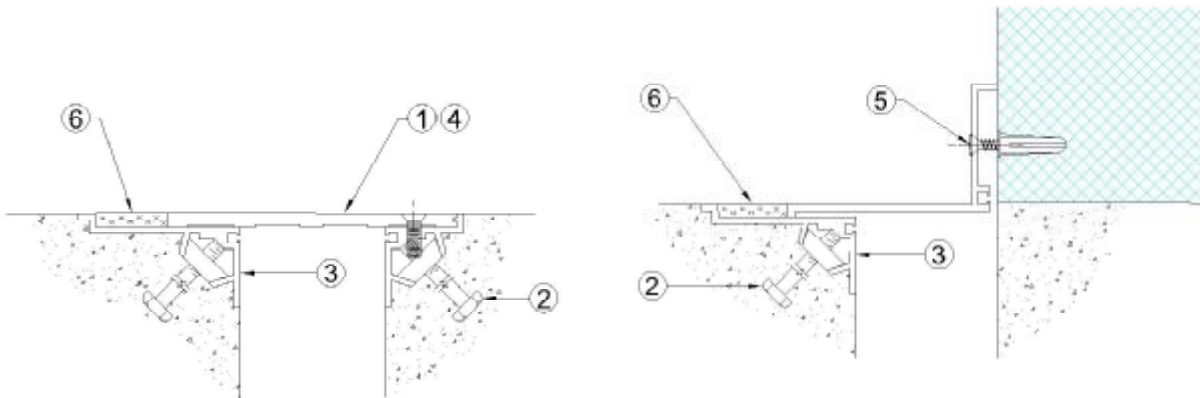
INSTALLATION INSTRUCTIONS

Each installation may have unique situations that cannot be covered by the following guidelines. Please call 1-800-835-0028 if you have questions.

K02

REV 10/06

- Step 1: Remove cover plate from embed extrusion and retain for reinstallation later. It must be installed in the same location that it is removed.
- Step 2.: Add anchors (FE-82) to carrier and tighten snug at 1'-6" on center.
- Step 3: Cast embed extrusion in concrete. It is important that the embed is level and flush with concrete.
- Step 4: Reinstall cover plate after finished floor is complete on the opposite side of embed.
- Step 5: Position the floor to wall extrusion as dimensioned on technical detail. Mark for plastic plug locations. Remove assembly, drill and install plastic plugs. Position the extrusion and install screws accordingly.
- Step 6: Install filler strip to carrier.



ARCHITECTURAL ART MFG.
6409 Rhode Island Ave. Riverdale, MD 20737



INSTALLATION INSTRUCTIONS

Each installation may have unique situations that cannot be covered by the following guidelines. Please call 1-800-835-0028 if you have questions.

K03

REV 10/06

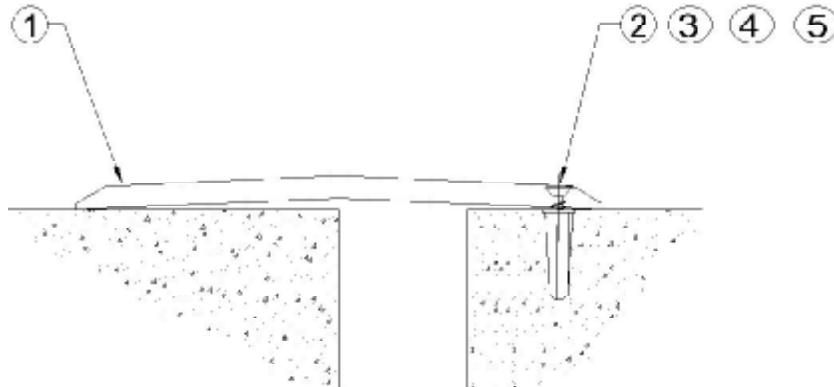
Step 1: Position plate over expansion joint as dimensioned on detail sheet.

Step 2.: Mark locations for plastic plug anchors through factory-drilled holes in plate.

Step 3: Remove plate and drill holes.

Step 4: Tap in plastic plug anchors and position plate for fastening.

Step 5: Fasten plate to floor with factory-provided #10 x 1" zinc plated F.H.W.S.



ARCHITECTURAL ART MFG.
6409 Rhode Island Ave. Riverdale, MD 20737



INSTALLATION INSTRUCTIONS

Each installation may have unique situations that cannot be covered by the following guidelines. Please call 1-800-835-0028 if you have questions.

K04

REV 10/06

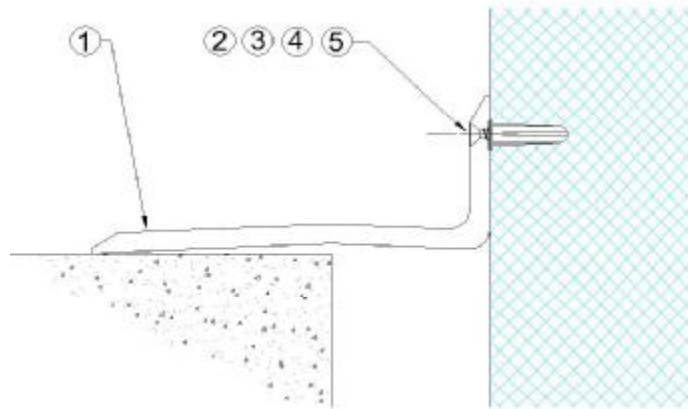
Step 1: Position plate over expansion joint as dimensioned on detail sheet.

Step 2.: Mark locations on wall for plastic plug anchors through factory-drilled holes in plate.

Step 3: Remove plate and drill holes.

Step 4: Tap in plastic plug anchors and position plate for fastening.

Step 5: Fasten plate to wall with factory-provided #10 x 1" zinc plated F.H.W.S.



ARCHITECTURAL ART MFG.
6409 Rhode Island Ave. Riverdale, MD 20737

