

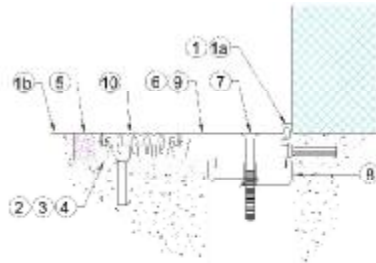
## INSTALLATION INSTRUCTIONS

Each installation may have unique situations that cannot be covered by the following guidelines. Please call 1-800-835-0028 if you have questions.

# B01

REV 10/06

- Step 1 Position the wall extrusion as dimensioned on detail sheet. Mark vinyl anchor locations at 2'-0" on center through the factory-drilled holes. Remove extrusion, drill and install vinyl anchors.
- Step 1a Position the wall extrusion and install #8 x ¾" FHUP screws.
- Step 1b Pour floors with block-out. The block-out should be 5/8" deep x 3" wide.
- Step 2 The Series "B" assembly is furnished with the floor extrusions drilled at 1'-6" on center to be used as a guide for marking locations for the vinyl anchors.
- Step 3 Space, align, mark and drill the pre-cast concrete to accept the #8 x 1" vinyl anchors. **NOTE: WIDTH DIMENSIONS ARE CRITICAL AND MUST BE HELD.**
- Step 4 Position floor extrusions and install #8 x ¾" FHUP screws securely.
- Step 5 Grout in place level with the surrounding floor.
- Step 6 Remove any concrete residue from all exposed surfaces.
- Step 7 Lay center cover over carriers flush at ends and mark spring locations through cover holes with marking pen or pencil scribe.
- Step 8 Position the spring in the extrusion spring-track aligned with the marks from Step #7. Using 1 ½" masking tape, hold spring in position by forming a "bridge" under the spring. (Tape one end of the tape to one side of the extrusion and pull under the spring then secure the spring in place by pulling the tape tight under the spring and taping to the other extrusion.)
- Step 9 Position and rotate center cover plate into wall extrusion. Install spring screws through holes in center plate into springs at locations marked in Step #7 and tighten.
- Step 10 Position vinyl inserts and push into embed carriers, making sure vinyl is locked into position. To avoid future gaps at ends and intersections, **DO NOT** stretch vinyl lengthwise during installation.



**ARCHITECTURAL ART MFG.**  
6409 Rhode Island Ave. Riverdale, MD 20737



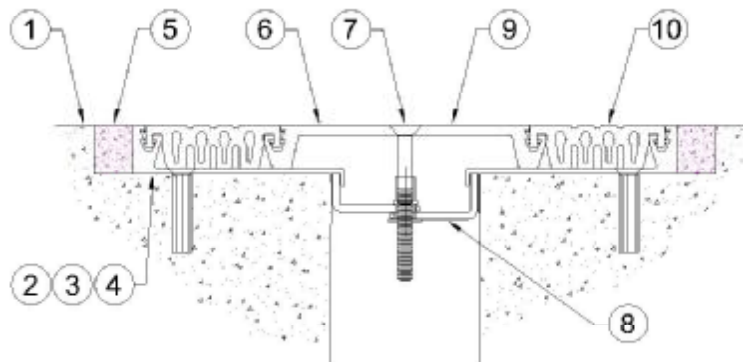
### INSTALLATION INSTRUCTIONS

Each installation may have unique situations that cannot be covered by the following guidelines. Please call 1-800-835-0028 if you have questions.

# B02

REV 10/06

- Step 1 Pour floors with block-outs. The block-outs should be 5/8" deep x 3" wide.
- Step 2 The Series "B" assembly is furnished with the floor extrusions drilled at 1'-6" on center to be used as a guide for marking locations for the vinyl anchors.
- Step 3 Space, align, mark and drill the pre-cast concrete to accept the #8 x 1" vinyl anchors. **NOTE: WIDTH DIMENSIONS ARE CRITICAL AND MUST BE HELD.**
- Step 4 Position floor extrusions and install #8 x 3/4" FHUP screws securely.
- Step 5 Grout in place level with the surrounding floor.
- Step 6 Remove any concrete residue from all exposed surfaces.
- Step 7 Lay center cover over carriers flush with ends and mark spring locations through cover holes with marking pen or pencil scribe.
- Step 8 Position the spring in the extrusion spring-track aligned with the marks from Step #7. Using 1 1/2" masking tape hold spring in position by forming a "bridge" under the spring. (Tape one end of the tape to one side of the extrusion and pull under the spring then secure the spring in place by pulling the tape tight under the spring and taping to the other extrusion.)
- Step 9 Install spring screws through holes in center plate into springs at locations marked in Step 7 and tighten.
- Step 10 Position vinyl inserts and push into embed carriers, making sure vinyl is locked into position. To avoid future gaps at ends and intersections, **DO NOT** stretch vinyl lengthwise during installation.



**ARCHITECTURAL ART MFG.**  
6409 Rhode Island Ave. Riverdale, MD 20737



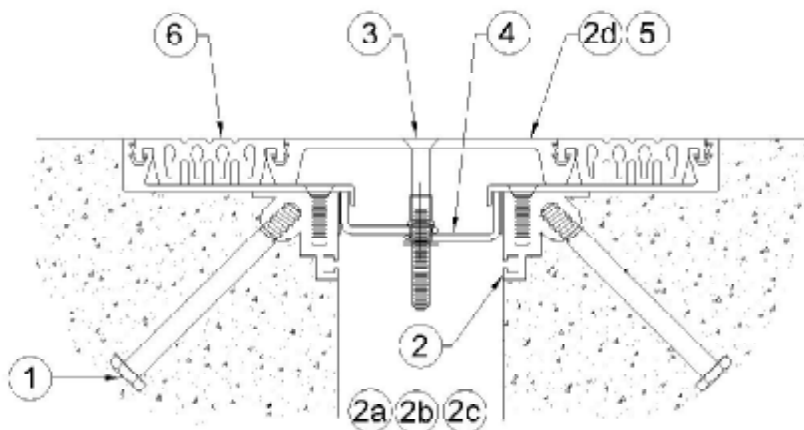
### INSTALLATION INSTRUCTIONS

Each installation may have unique situations that cannot be covered by the following guidelines. Please call 1-800-835-0028 if you have questions.

# B03

REV 10/06

- Step 1 Insert 1/4" x 2 3/4" hex head bolts into embeds and tighten at 1'-6" on center.
- Step 2 Cast carriers in the concrete. Concrete should be flush at joint. **NOTE: WIDTH DIMENSIONS ARE CRITICAL AND MUST BE HELD.**
- Step 2a Space, align and attach the expansion joint cover to suspension material.
- Step 2b Support as required and pour concrete making sure the expansion joint cover is plumb and true with the required floor line.
- Step 2c After concrete has cured, remove the expansion joint separation material.
- Step 2d Remove any concrete residue from all exposed surfaces.
- Step 3 Lay center cover over carriers flush with ends and mark spring locations through cover holes with marking pen or pencil scribe.
- Step 4 Position the spring in the extrusion spring-track aligned with the marks from Step #3. Using 1 1/2 " masking tape, hold spring in position by forming a "bridge" under the spring. (Tape one end of the tape to one side of the extrusion and pull under the spring then secure the spring in place by pulling the tape tight under the spring and taping to the other extrusion.)
- Step 5 Place center cover plate in position. Install spring screws through holes in center plate into springs at locations marked in Step #3 and tighten.
- Step 6 Position vinyl inserts and push into embed carriers, making sure vinyl is locked into position. To avoid future gaps at ends and intersections, **DO NOT** stretch vinyl lengthwise during installation.



**ARCHITECTURAL ART MFG.**  
6409 Rhode Island Ave. Riverdale, MD 20737



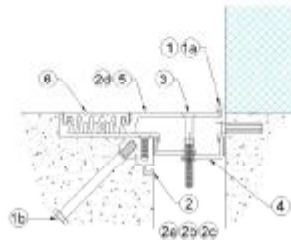
## INSTALLATION INSTRUCTIONS

Each installation may have unique situations that cannot be covered by the following guidelines. Please call 1-800-835-0028 if you have questions.

# B04

REV 10/06

- Step 1** Position the wall extrusion as dimensioned on detail sheet. Mark vinyl anchor locations at 2'-0" on center through the factory-drilled holes. Remove extrusion, drill and install vinyl anchors.
- Step 1a** Position the wall extrusion and install #8 x 3/4" FHUP screws.
- Step 1b** Insert 1/4" x 2 3/4" hex head bolts into embeds and tighten at 1'-6" on center.
- Step 2** Cast carriers in the concrete. Concrete should be flush at joint. **NOTE: WIDTH DIMENSIONS ARE CRITICAL AND MUST BE HELD.**
- Step 2a** Space, align and attach the expansion joint cover to suspension material.
- Step 2b** Support as required, pour concrete making sure the expansion joint is plumb and true with required floor line.
- Step 2c** After concrete has cured, remove the expansion joint separation material.
- Step 2d** Remove any concrete residue from all exposed surfaces.
- Step 3** Lay center cover over carriers flush with ends and mark spring locations through cover holes with marking pen or pencil scribe.
- Step 4** Position the spring in the extrusion spring-track aligned with the marks from Step #3. Using 1 1/2" masking tape hold spring in position by forming a "bridge" under the spring. (Tape one end of the tape to one side of the extrusion and pull under the spring then secure the spring in place by pulling the tape tight under the spring and taping to the other extrusion.)
- Step 5** Position and rotate center cover plate into wall extrusion. Install spring screws through holes in center plate into springs at locations marked in Step #3 and tighten.
- Step 6** Position vinyl inserts and push into embed carriers, making sure vinyl is locked into position. To avoid future gaps at ends and intersections, **DO NOT** stretch vinyl lengthwise during installation.



**ARCHITECTURAL ART MFG.**  
6409 Rhode Island Ave. Riverdale, MD 20737

